

ACCOUNT NO. 0001018326



BIN NUMBER  
0058-1

UPS SHIPPER NO. MN 5-65-685  
SO: 593392-20

SOLD TO: Triax Metal Prod Inc  
1880 SW Merlo Drive  
BEAVERTON OR 97006  
US

SHIP TO: Triax Metal Prod Inc  
1880 SW Merlo Drive  
BEAVERTON OR 97006  
US

**\*5410706\***

PROD. ORDER # 541-0706  
QNC # 410706

P.O. NUMBER 65320

**0607**

|                           |  |                                |                                 |   |                                     |               |
|---------------------------|--|--------------------------------|---------------------------------|---|-------------------------------------|---------------|
| W. T. NUMBER<br>593392-20 | ORDER DATE<br>04/30/2008   | TARGET SHIP DATE<br>05/07/2008 | CUSTOMER CONTACT<br>Shaun Fitch | CUSTOMER PHONE and FAX<br>PH: 503-649-9500<br>FAX: 503-649-1888 | QUESTIONS CONTACT<br>Phil Griffiths | TERMS<br>WT10 |
| SALES NO.<br>A0022        | INSTRUCTIONS<br>CUST RE-USING HOLDER/CUTTING<br>INSRT FROM 403185-20 |                                |                                 | SHIP VIA UPS2   |                                     |               |

E STN THICK THK LOUVER E STN CUSTOM F/U  
A= 2.160 B= .340 C= .236 D= 1.000 E= 1.750 \*OPTIMA\*

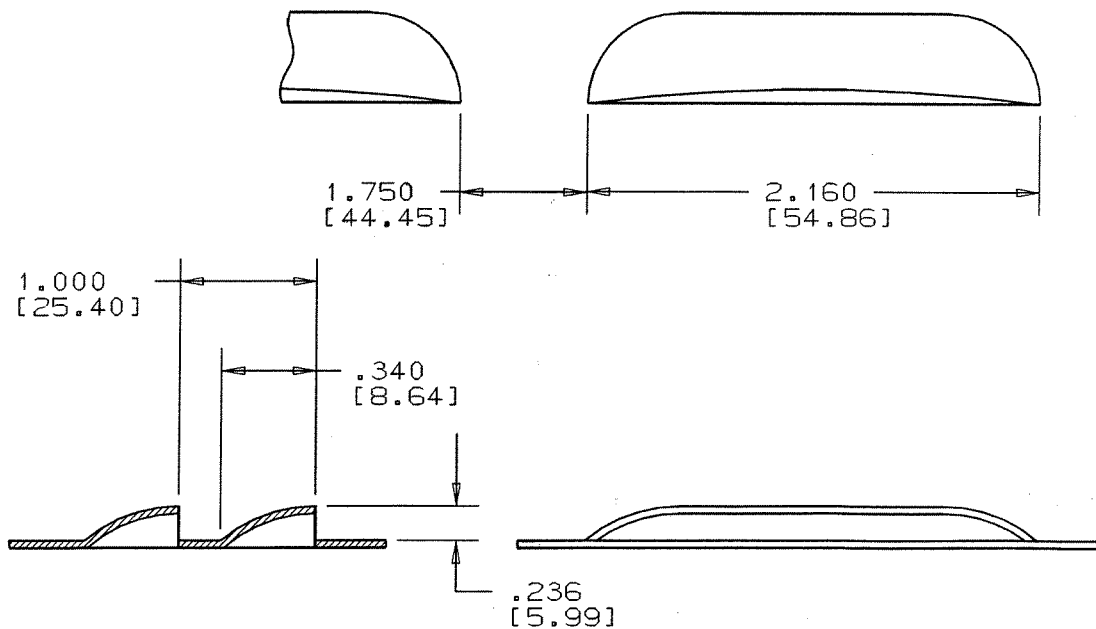
| ITEM           | QUANTITY | CLEARANCE | CATALOG NUMBER: 12779 | ASSEMBLY NUMBER: | SHAPE: SP |
|----------------|----------|-----------|-----------------------|------------------|-----------|
| 1              | 1        |           |                       |                  |           |
| FORMING INSERT |          |           |                       |                  |           |
| 2              | 1        |           |                       |                  |           |
| POCKET INSERT  |          |           |                       |                  |           |

LCG Cell

541-0706

.100 (2.54) ALUM.  
VIPROS 358 (THICK)  
NO SCALE

RUNNING WITH COMPONENTS  
FROM STOCK TOOL (403185)



JDB 541-0706

**\*\*410706\*\***

\*410706000081325\*0501083406