



BIN NUMBER  
0753-3

UPS SHIPPER NO. MN 5-65-685  
SO: 546258-10

ACCOUNT NO. 0001018326

SOLD TO Triax Metal Prod Inc  
1880 SW Merlo Drive  
BEAVERTON OR 97006  
US

SHIP TO Triax Metal Prod Inc  
1880 SW Merlo Drive  
BEAVERTON OR 97006  
US

PROD. ORDER # 514-7781  
QNC # 147781

P.O. NUMBER 63835

01



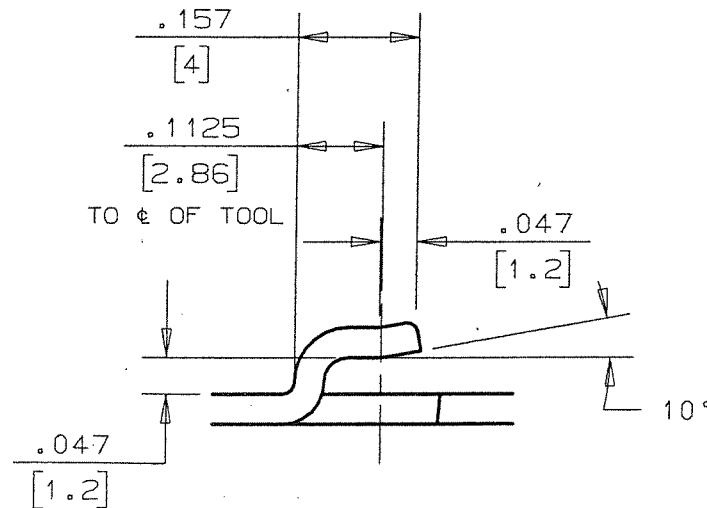
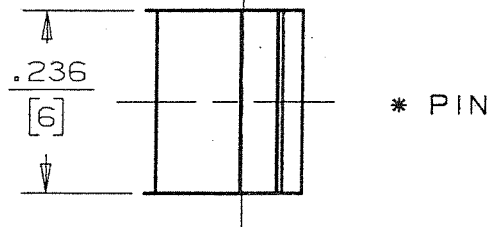
W.T. NUMBER 546258-10	ORDER DATE 10/25/2007	TARGET SHIP DATE 11/01/2007	CUSTOMER CONTACT Shaun Fitch	CUSTOMER PHONE and FAX PH: 503-649-9500 FAX: 503-649-1888	QUESTIONS CONTACT Bruce Dibbern	TERMS WT10
SALES NO. A0024	INSTRUCTIONS			SHIP VIA UPS2		

B STN THICK THK LANCE & F/U <90° B STN (0.375 MAX)  
L&F/UP W/EXTRA BEND

ITEM	QUANTITY	CLEARANCE	CATALOG NUMBER: 12696	ASSEMBLY NUMBER:	SHAPE: SP
1	1	0.15 mm (0.0059 in)			

FULL ASS'Y

1 1/4 STATION  
.039 [1.0] GALV.  
VIPROS 358 (THK)  
RAD OK  
4X SCALE



514-7781

PACKING LIST

JC #514-7781