

WILSON TOOL
 12912 Farham Avenue
 White Bear Lake, Minnesota 55110
 Phone 1-800-328-9646

BIN NUMBER
0131-1

UPS SHIPPER NO. **MN 5-65-685**
SO: 355364-10

ACCOUNT NO. [REDACTED]

SOLD TO [REDACTED]

SHIP TO [REDACTED]
 US

4065878

PROD. ORDER # **406-5878**
 QNC # 065878

P.O. NUMBER 75994
 CUSTOMER [REDACTED]

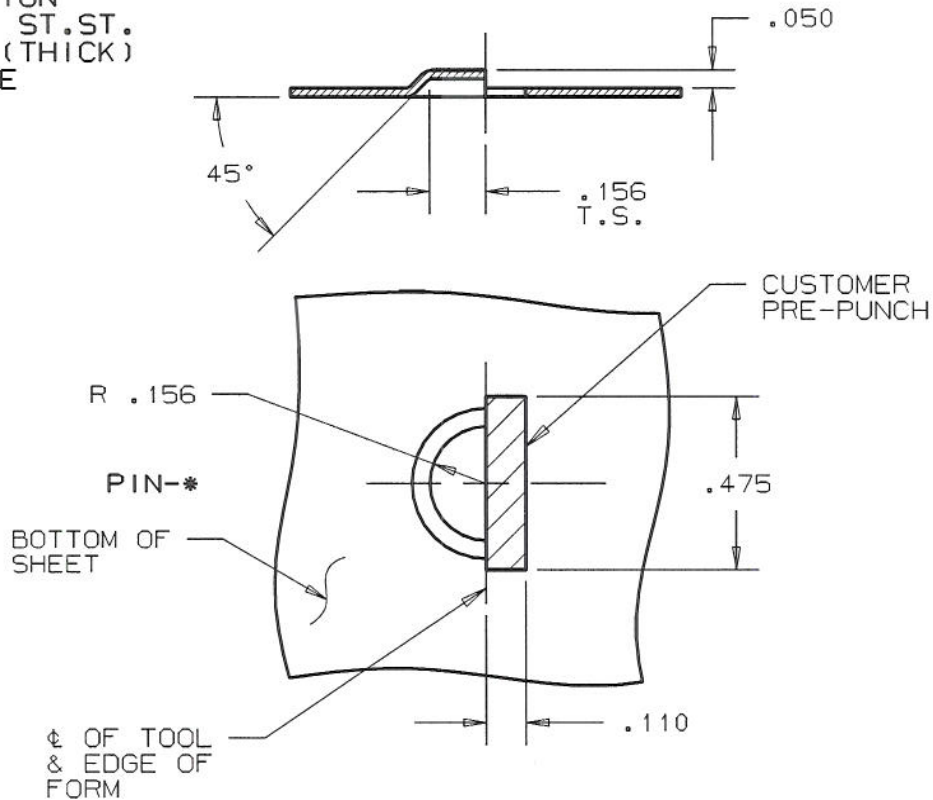
08

W.T. NUMBER 355364-10	ORDER DATE 10/24/2005	TARGET SHIP DATE 11/08/2005	CUSTOMER CONTACT [REDACTED]	CUSTOMER PHONE and FAX PH [REDACTED] FA [REDACTED]	QUESTIONS CONTACT Dennis Wasieleski	TERMS WT10
SALES NO. A0024	INSTRUCTIONS			SHIP VIA UPS1		

**B STN THICK 1-1/4 THK EMBOSS SH F/U
 EMBOSS D SHAPED EMBOSS / PRE-PUNCHED ON FLAT EDGE**

ITEM	QUANTITY	CLEARANCE	CATALOG NUMBER: 02276	ASSEMBLY NUMBER:	SHAPE: SP
1	1				
FULL SET					
2	1				
LTD WTY SHEET DISTORTION					

1 1/4" STATION
 .024 (0.61) ST.ST.
 VIPROS 358 (THICK)
 8-SPRING DIE
 2x SCALE



* METRIC HARDWARE
 * UNLIMITED RADII

****065878****

*065878000079100*10251417

JDB 406-5878

406-5878