

ACCOUNT NO. 0001018326

**WILSON TOOL**  
12912 Farnham Avenue  
White Bear Lake, Minnesota 55110  
Phone 1-800-328-9646

BIN NUMBER

0000-0

UPS SHIPPER NO. MN 5-65-685

SO: 314532-10

SOLD TO Triax Metal Prod Inc  
1880 SW Merlo Drive  
BEAVERTON OR 97006  
US

SHIP TO Triax Metal Prod Inc  
1880 SW Merlo Drive  
BEAVERTON OR 97006  
US

PROD. ORDER # **385-5321**  
QNC # 855321

P.O. NUMBER 59414  
CUSTOMER Triax Metal Prod Inc

**06**

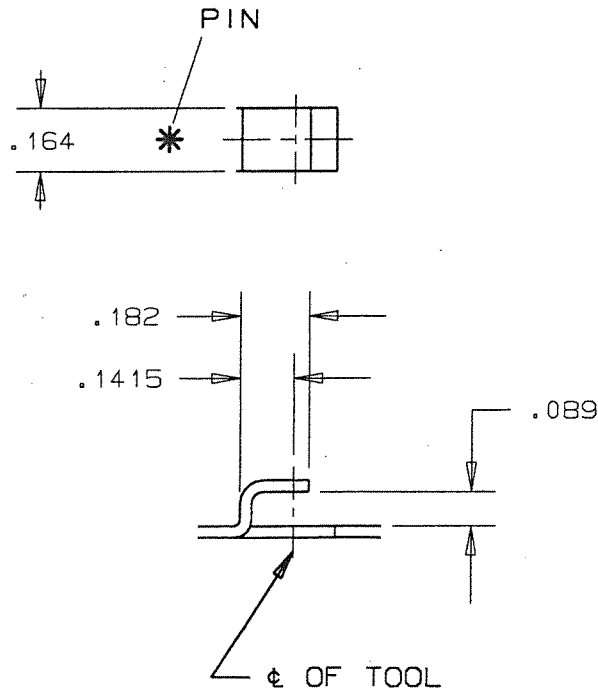


W.T. NUMBER 314532-10	ORDER DATE 05/27/2005	TARGET SHIP DATE 06/06/2005	CUSTOMER CONTACT sHAUN	CUSTOMER PHONE and FAX PH: 503-649-9500 FAX: 503-649-1888	QUESTIONS CONTACT Shari Iverson	TERMS WT10
SALES NO. A0024	INSTRUCTIONS INCREASE HT OF FORM TO MAINTAIN GAP OF .089			SHIP VIA UPSG		

**B STN THICK LANCE & FORM UP <90**

ITEM	QUANTITY	CLEARANCE	CATALOG NUMBER: 12696	SHAPE: SP
1	1	0.005 in		
FULL ASS'Y				

STATION: 1-1/4 (THK)  
MACH: VIPROS 358  
MAT'L: .030 M.S.  
REPLACEABLE PUNCH TIP  
DIE: Ø 3/8 INSERT  
METRIC HARDWARE  
RAD OK  
2x SCALE



385-5321

PACKING LIST

DESIGNER: TR -D2  
JOB #385-5321