

Wilson Tool International

12912 Farham Avenue
White Bear Lake, Minnesota 55110
Phone 1-800-328-9646

UPS SHIPPER NO. MN 5-65-685

PKG.I.D.# 216-0276

[160276]

ACCOUNT NO. 971231800 PPS NO. 1153827

SOLD TO TRIAX METAL PROD INC
1880 SW MERLO DRIVE
BEAVERTON OR 97006
USA

SHIP TO TRIAX METAL PROD INC
1880 SW MERLO DRIVE
BEAVERTON OR 97006
USA

21



P.O. NUMBER 51751 20F4

CUSTOMER TRIAX METAL PROD INC

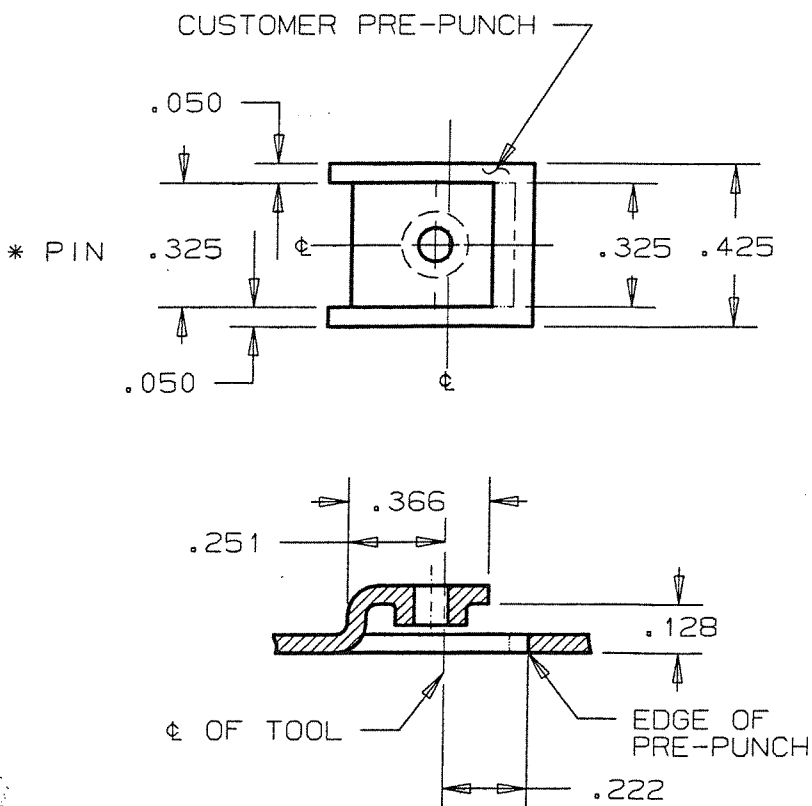
W.T. NUMBER 2160276	ORDER DATE 11/09/2001	TARGET SHIP DATE 11/21/2001	CUSTOMER CONTACT SHAWN FITCH	CUSTOMER PHONE and FAX PH: 503-649-9500 FAX: 503-649-1888	QUESTIONS CONTACT Bob Breidel	TERMS NET 10
------------------------	--------------------------	--------------------------------	---------------------------------	---	----------------------------------	-----------------

SALES NO. 24	INSTRUCTIONS S/W 2160276 2160279 2160277 *	SHIP VIA UPS NDA PACKAGE
-----------------	---	--------------------------

ITEM	QUANTITY	PART NO.	SHAPE	DIM1	DIM2	DIM3	CLEARANCE
1	1	02276	SP	0.000	0.000	0.000	0.000

THICK TURRET 1 1/4 SHP F/UONLY P&D ASSY SHAPED FORM W/RELIEF

1 1/4" STATION
PEGA 357 (THICK)
.048 C.R.S.
8 SPRING DIE ASS'YDIE
METRIC HARDWARE
GUIDED PUNCH
RELIEVED DIE BASE FOR EXTRUSION
BUILT-UP STRIPPER WITH
RELIEF FOR CLOSE ϕ TO ϕ
RAD OK
2 X SCALE



DESIGNER: KAE-D2
JOB # 216-0276

PACKING LIST