

ACCOUNT NO. 0001018326

**WILSON TOOL**  
12912 Farham Avenue  
White Bear Lake, Minnesota 55110  
Phone 1-800-328-9646

BIN NUMBER  
**0933-4**

UPS SHIPPER NO. MN 5-65-685  
**SO: 202076-10**

SOLD TO  
Triax Metal Prod Inc  
1880 SW Merlo Drive  
BEAVERTON OR 97006  
US

SHIP TO  
Triax Metal Prod Inc  
1880 SW Merlo Drive  
BEAVERTON OR 97006  
US

PROD. ORDER # **323-5636**  
QNC # 235636

P.O. NUMBER 56009  
CUSTOMER Triax Metal Prod Inc

# 19

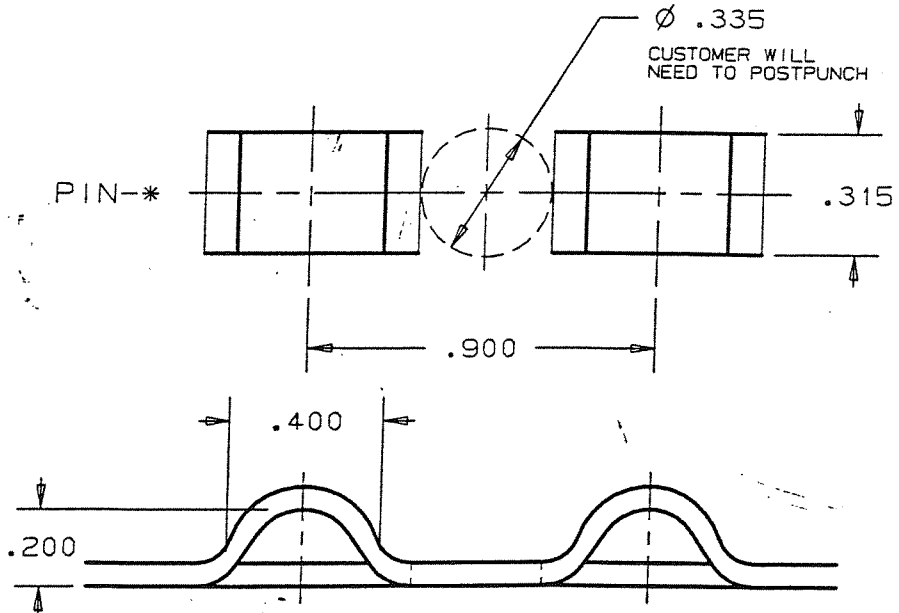


W.T. NUMBER 202076-10	ORDER DATE 04/12/2004	TARGET SHIP DATE 04/19/2004	CUSTOMER CONTACT Shaun/ Ron Olson	CUSTOMER PHONE and FAX PH: 503-649-9500 FAX: 503-649-1888	QUESTIONS CONTACT Kathy Limanen	TERMS WT10
SALES NO. A0024	INSTRUCTIONS		SHIP VIA UPS2			

**B STN THICK SGL BRIDGE LANCE & FORM UP W/RELIEF  
315 X.400 LTD WTY**

ITEM	QUANTITY	CLEARANCE	CATALOG NUMBER: 02244	SHAPE: SP
1	1	0.012 in		
FULL ASS'Y				

1 1/4" STATION  
 16 GA (.060) 304 STAINLESS STEEL  
 VIPROS 358 (THICK)  
 REPLACEABLE PUNCH TIP  
 RELIEVED FOR .900 &'S (END/END)  
 METRIC HARDWARE  
 8-SPRING DIE  
 RAD OK  
 2x SCALE



323-5636

PAUNCHING LIST

KAJ - 3235636