

ACCOUNT NO. 0001018326

WILSON TOOL
12912 Farham Avenue
White Bear Lake, Minnesota 55110
Phone 1-800-328-9646

BIN NUMBER
0000-0

UPS SHIPPER NO. MN 5-65-685
SO: 164590-10

SOLD TO Triax Metal Prod Inc
1880 SW Merlo Drive
BEAVERTON OR 97006
US

SHIP TO Triax Metal Prod Inc
1880 SW Merlo Drive
BEAVERTON OR 97006
US

PROD. ORDER # 302-8393
QNC # 028393

P.O. NUMBER 55972
CUSTOMER Triax Metal Prod Inc

26



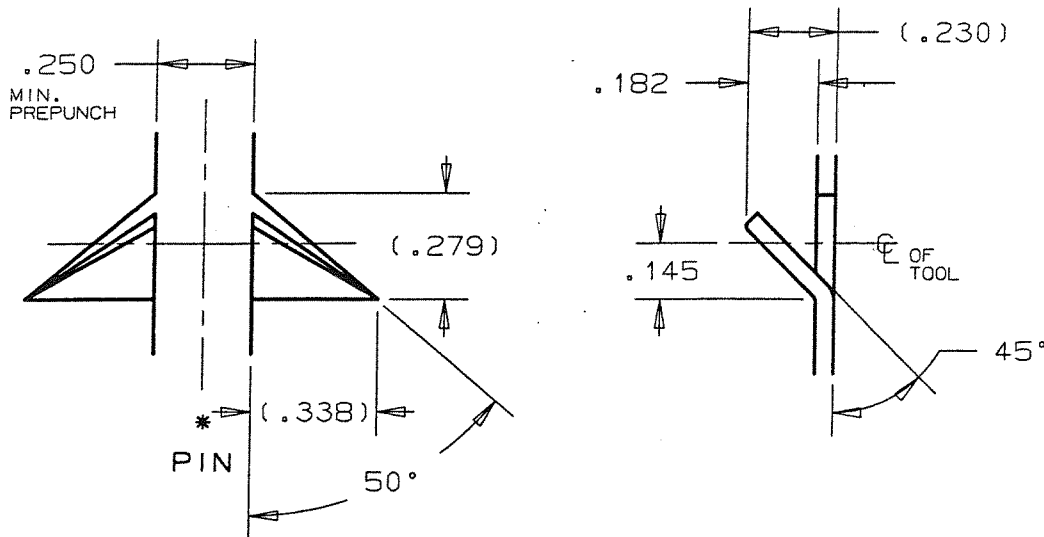
W.T. NUMBER 164590-10	ORDER DATE 11/19/2003	TARGET SHIP DATE 11/26/2003	CUSTOMER CONTACT SHAUN	CUSTOMER PHONE and FAX PH: 503-649-9500 FAX: 503-649-1888	QUESTIONS CONTACT Michael Hoffman	TERMS WT10
SALES NO. A0024	INSTRUCTIONS		SHIP VIA UPS2			

**B STN THICK LANCE & FORM UP
MULTIPLE FORM**

ITEM	QUANTITY	CLEARANCE	CATALOG NUMBER: 12696	SHAPE: SP
1	1	0.01 in		

FULL ASS'Y

1 1/4 STATION
 .048 ST. ST.
 VIPROS 358 (THK)
 REPLACEABLE PUNCH TIP
 8 SPRING DIE
 METRIC HARDWARE
 RAD OK
 2X SCALE



KAJ ✓

DRAFTER: JC
DESIGNER: JC-D2
#302-8393

NO LENGTH TAG!
ADJUST UPPER UNIT LENGTH TO: 8.048[204.42]

302-8393

PACKING LIST