



BIN NUMBER
0000-0

UPS SHIPPER NO. MN 5-65-685
SO: 240139-20

ACCOUNT NO. 0001018326

SOLD TO
Triax Metal Prod Inc
1880 SW Merlo Drive
BEAVERTON OR 97006
US

SHIP TO
Triax Metal Prod Inc
1880 SW Merlo Drive
BEAVERTON OR 97006
US

PROD. ORDER # 344-2522
QNC # 442522

P.O. NUMBER 56944-ADD
CUSTOMER Triax Metal Prod Inc

10



W.T. NUMBER 240139-20	ORDER DATE 08/27/2004	TARGET SHIP DATE 09/10/2004	CUSTOMER CONTACT SHAUN FITCH x140	CUSTOMER PHONE and FAX PH: 503-649-9500 FAX: 503-649-1888	QUESTIONS CONTACT Bruce Dibbern	TERMS WT10
SALES NO. A0024	INSTRUCTIONS		SHIP VIA UPS2			

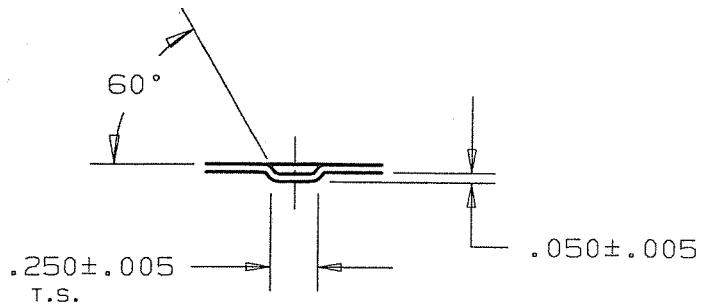
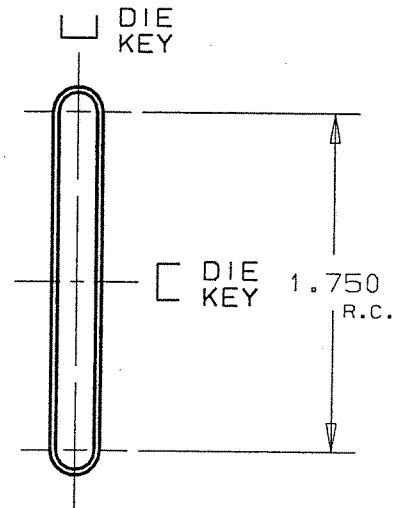
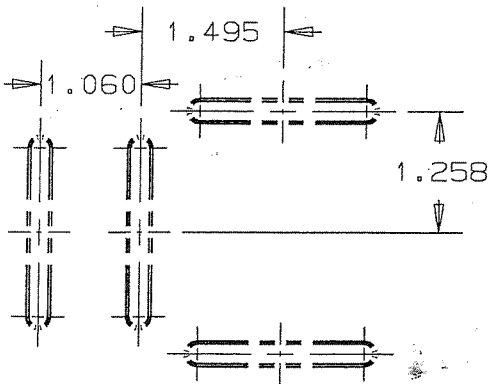
E STN THICK EMOSS, FORM DOWN, SHAPE W/RELIEF
EMBOSS OBOURND 1.750" X .250" (STN PER CUSTOMER)

ITEM	QUANTITY	CLEARANCE	CATALOG NUMBER: 02554	SHAPE: SP
1	1			
FULL SET (M-12)				
2	1			
LTD WTY SHEET DISTORTION				
3	1			
LTD WTY FINISH FORM				

APPROVED BY: SHAUN FITCH
DATE: 8-31-04

4 1/2" STATION
M-12
.040 5052 H32 ALUM.
VIPROS 358 (THK)
SOLID DIE
FULL SCALE

* DIE IS RELIEVED FOR
PATTERN SHOWN



344-2522

PACKING LIST

KAJ ✓
JC-D2
J/N 344-2522

NO LENGTH TAG!
ADJUST UPPER UNIT LENGTH TO: 8.083[205.31]