



Acct# 1018326

Wilson Tool International, Inc
12912 Farnham Avenue
WHITE BEAR LAKE, MN 55110
US

Ship Via: UPS Next Day Air
SO: 1662602-10
Prod Ord: 11095111
P.O. Number 86121

Sold To Triax Metal Products LLC
1880 SW Merlo Drive
BEAVERTON OR 97003
US

Ship To Triax Metal Products LLC
1880 SW Merlo Drive
BEAVERTON OR 97003
US

Contact: Shaun Fitch Phone: 503-649-9500-140 Fax: 503-649-1888 Email: shaun@triaxmetal.com

Order Date 03/13/2019	Target Ship Date 03/18/2019	Question Contact Jon Vining	Instructions
--------------------------	--------------------------------	--------------------------------	--------------

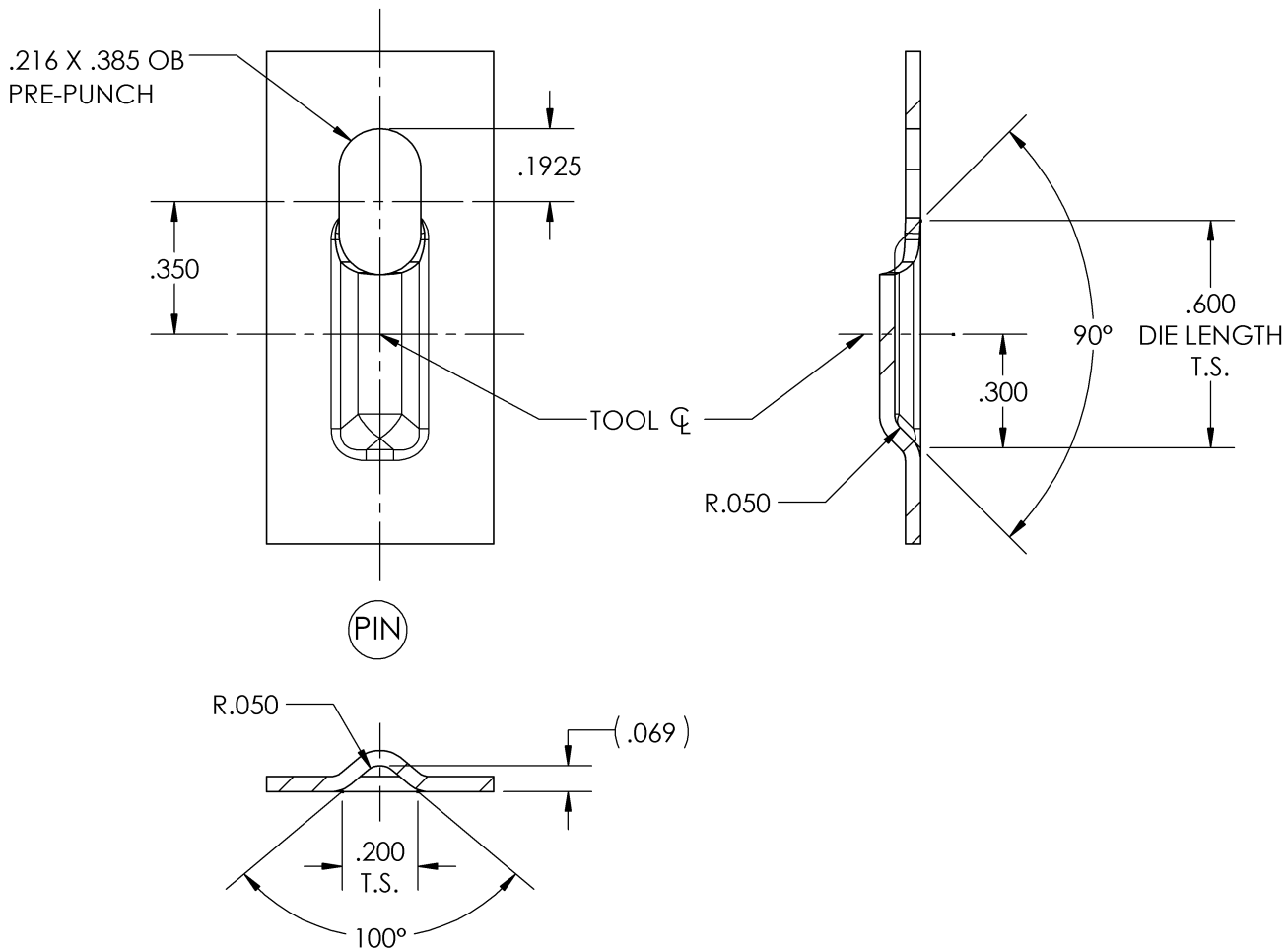
QTY: 1 2276 1-1/4 Thick Emboss Shape Form-Up

PO#86121 SHAPED EMBOSS

STATION: B STATION (1-1/4)	RELIEF: NO RELIEF	KEYING: STANDARD	MATL: ALUMINIUM
	AUTO INDX: NO		MATL THK: 0.0400 in
MACHINE: AMADA			
MODEL: VIPROS 358			COATING: NO COATING

Item 1 - FULL SET

* THE APPROXIMATE ADJUSTED PUNCH LENGTH IS : 8.030



JC
PROD# 11095111

These items are controlled by the U.S. Government and authorized for export only to the country of ultimate destination for use by the ultimate consignee or end-user(s) herein identified. They may not be resold, transferred, or otherwise disposed of, to any other country or to any person other than the authorized ultimate consignee or end-user(s), either in their original form or after being incorporated into other items, without first obtaining approval from the U.S. government or as otherwise authorized by U.S. law and regulations.