



Acct# 1018326

Wilson Tool  
12912 Farnham Avenue  
WHITE BEAR LAKE, MN 55110  
US

Ship Via:	UPS Ground
SO:	1238781-10
Prod Ord:	9101832
P.O. Number	83373
Payment Terms	Net due in 10 days

Sold To Triax Metal Products LLC  
1880 SW Merlo Drive  
CharBEAVERTON OR 97006  
US

Ship To Triax Metal Products LLC  
1880 SW Merlo Drive  
BEAVERTON OR 97006  
US

Contact: Shaun Fitch Phone: 503-649-9500-140 Fax: 503-649-1888 Email: shaun@triaxmetal.com

Order Date 02/18/2015	Target Ship Date 02/23/2015	Question Contact Craig Roy-Nyline	Instructions
--------------------------	--------------------------------	--------------------------------------	--------------

QTY: 1 2266 4-1/2 Thick Emboss Standard Shape Form-Up

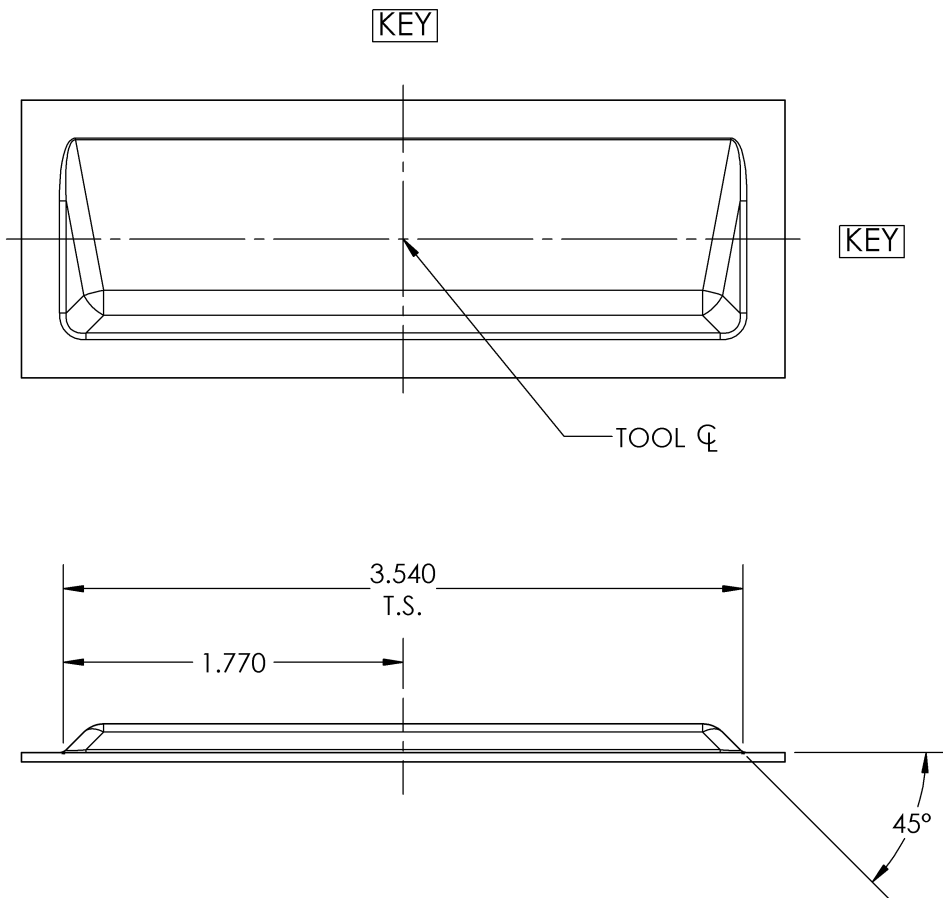
OFFSET EMBOSS 3.580 LONG

STATION: E STATION (4-1/2)	RELIEF: NO RELIEF	KEYING: STANDARD	MATL: GALVANIZED
STYLE: OLD STYLE	AUTO INDX: NO		MATL THK: 0.0480 in
MACHINE: AMADA			
MODEL: VIPROS 358			COATING: NO COATING

Item 1 - FULL SET (M-12), (LESS HOLDER)

SPECIAL SPRING & INSTRUCTIONS

\* THE APPROXIMATE ADJUSTED PUNCH LENGTH IS : 8.022



JCC  
PROD# 9101832