



BIN NUMBER
0154-1

UPS SHIPPER NO. MN 5-65-685
SO: 184880-10

ACCOUNT NO. 0001018326

SOLD TO Triax Metal Prod Inc
1880 SW Merlo Drive
BEAVERTON OR 97006
US

SHIP TO Triax Metal Prod Inc
1880 SW Merlo Drive
BEAVERTON OR 97006
US

PROD. ORDER # 314-2266
QNC # 142266

P.O. NUMBER 55993
CUSTOMER Triax Metal Prod Inc

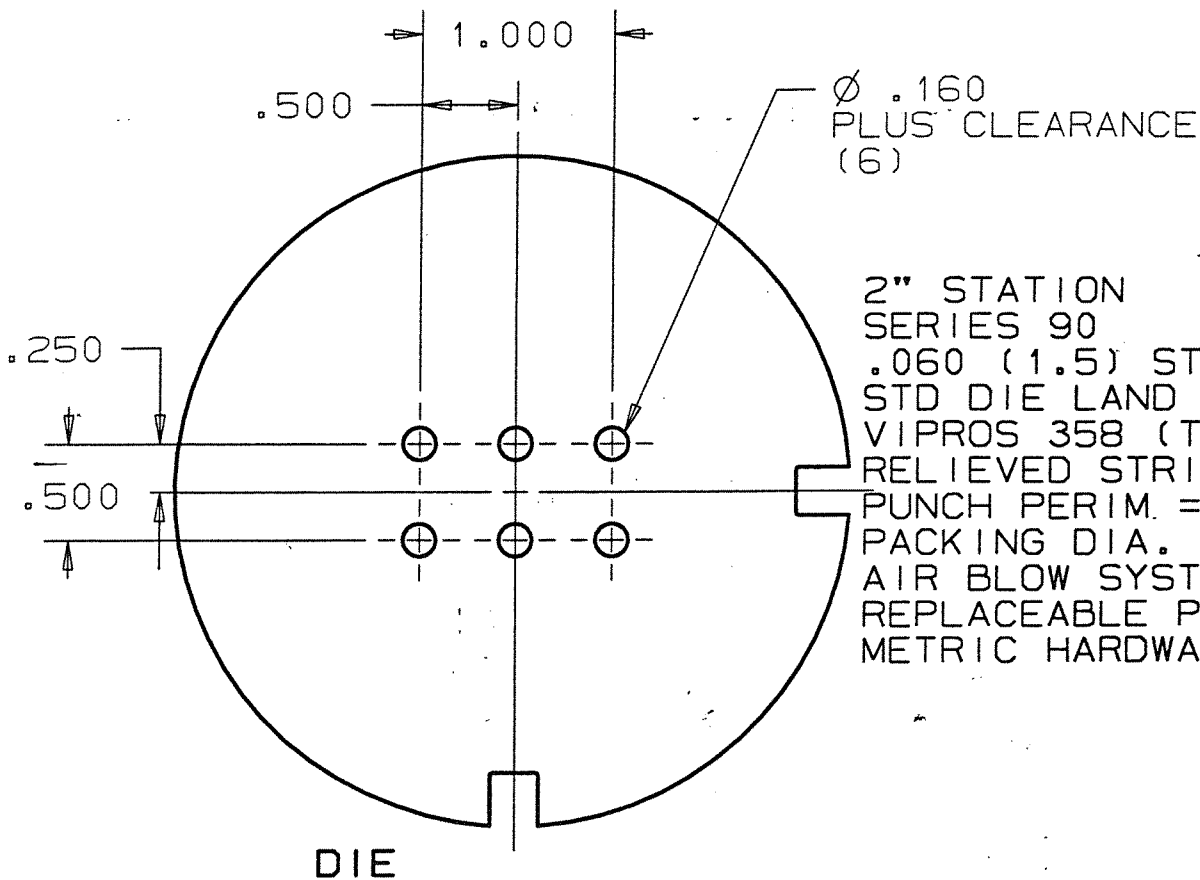
24



W.T. NUMBER 184880-10	ORDER DATE 02/11/2004	TARGET SHIP DATE 02/24/2004	CUSTOMER CONTACT SHAUN X140	CUSTOMER PHONE and FAX PH: 503-649-9500 FAX: 503-649-1888	QUESTIONS CONTACT Bruce Dibbern	TERMS WT10
SALES NO. A0024			INSTRUCTIONS			
				SHIP VIA UPS2		

C STN THICK SERIES 90 ABS
6-HOLE CLUSTER - .160" RD; PUNCH, STRIPPER, DIE; "B" STYLE

ITEM	QUANTITY	CLEARANCE	CATALOG NUMBER:	SHAPE: SP
1	1	0.012 in		
FULL ASS'Y (SET) SLUGHUGGER2				



2" STATION
SERIES 90
.060 (1.5) ST.ST.
STD DIE LAND
VIPROS 358 (THICK)
RELIEVED STRIPPER
PUNCH PERIM. = .5027
PACKING DIA. = .264
AIR BLOW SYSTEM
REPLACEABLE PUNCH TIP
METRIC HARDWARE

DIE

314-2266

Licensed under U.S. Patent No. 4,977,804 and corresponding foreign patents and patent applications, and authorized for use only on punching press machines manufactured by, for, or under license from Amada Company, Ltd.

PACKING LIST

JDB-D1 314-2266