

ACCOUNT NO. 0001018326



BIN NUMBER
0051-1

UPS SHIPPER NO. MN 5-65-685
SO: 379360-10

SOLD TO Triax Metal Prod Inc
1880 SW Merlo Drive
BEAVERTON OR 97006
US

SHIP TO Triax Metal Prod Inc
1880 SW Merlo Drive
BEAVERTON OR 97006
US

4288188

PROD. ORDER # 420-0108
QNC # 200108

P.O. NUMBER 59444

02

W. T. NUMBER 379360-10	ORDER DATE 01/25/2006	TARGET SHIP DATE 02/02/2006	CUSTOMER CONTACT Jay Ferris	CUSTOMER PHONE and FAX PH: 503-649-9500 FAX: 503-649-1888	QUESTIONS CONTACT Bruce Dibbern	TERMS WT10
---------------------------	--------------------------	--------------------------------	--------------------------------	---	------------------------------------	---------------

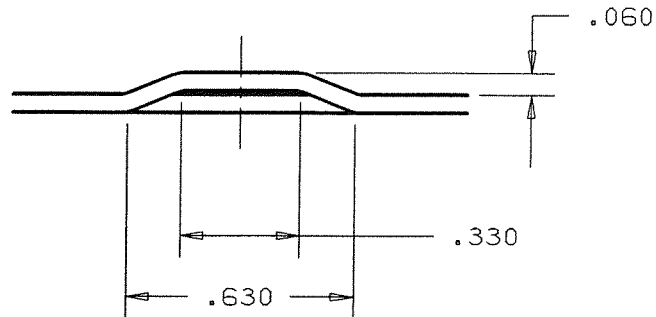
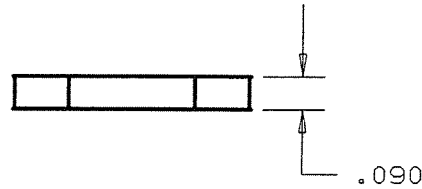
SALES NO. A0024	INSTRUCTIONS	SHIP VIA UPS1
--------------------	--------------	---------------

B STN THICK THK BRIDGE B STN SGL F/U
(REF W.T. 06-8688 - NEW MAT)

ITEM	QUANTITY	CLEARANCE	CATALOG NUMBER: 02244	ASSEMBLY NUMBER:	SHAPE: SP
1	1	0.006 in			
FULL ASS'Y					

1 1/4" STATION
0.050 (1.27) ALUM.
VIPROS 358 (THK)
8-SPRING DIE
RAD OK
2x SCALE

PIN-*



- * REPLACEABLE PUNCH TIP
- * METRIC HARDWARE

420-0108

****203188****
*200108000080600*01270031

JC
#420-0108