

Wilson Tool International

12912 Farham Avenue
White Bear Lake, Minnesota 55110
Phone 1-800-328-9646

UPS SHIPPER NO. MN 5-65-685

PKG.I.D.# 212-0696

[120696]

ACCOUNT NO. 971231800 PPS NO. 1016895

SOLD TO TRIAX METAL PROD INC
1880 SW MERLO DRIVE
BEAVERTON OR 97006
USA

SHIP TO TRIAX METAL PROD INC
1880 SW MERLO DRIVE
BEAVERTON OR 97006
USA

13



P.O. NUMBER 48653
CUSTOMER TRIAX METAL PROD INC

| | | | | | | |
|------------------------|--------------------------|--------------------------------|---------------------------------|------------------------------------|-------------------------------------|-----------------|
| W.T. NUMBER 2120696 | ORDER DATE 11/01/2000 | TARGET SHIP DATE 11/13/2000 | CUSTOMER CONTACT SHAUN FITCH | CUSTOMER PHONE NO. 503-649-9500 | QUESTIONS CONTACT Phil Griffiths | TERMS NET 10 |
|------------------------|--------------------------|--------------------------------|---------------------------------|------------------------------------|-------------------------------------|-----------------|

| | | |
|-----------------|--------------|---|
| SALES NO. 24 | INSTRUCTIONS | SHIP VIA UPS 2ND DAY PKG. ^{NDA} |
|-----------------|--------------|---|

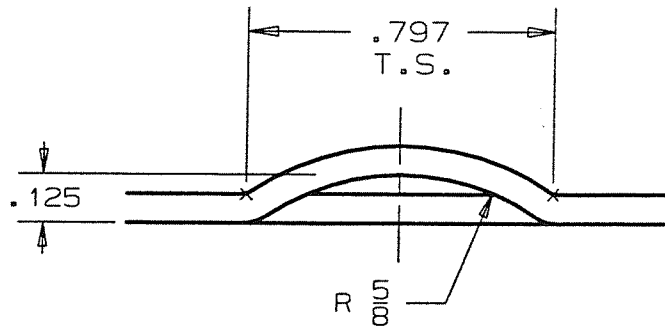
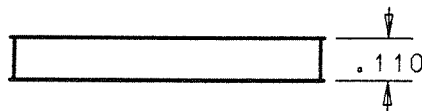
| ITEM | QUANTITY | PART NO. | SHAPE | DIM1 | DIM2 | DIM3 | CLEARANCE |
|------|----------|----------|-------|-------|-------|-------|-----------|
| 1 | 1 | 02244 | SP | 0.000 | 0.000 | 0.000 | 0.012 |

THK 1-1/4 SGL BRIDGE LANCE & F/U P & D ASY (FULL FLANGE)*

Assembly 2

1 1/4" STATION
0.075 (1.91) M.S.
VIPROS 358 (THICK)
8-SPRING DIE
RAD OK
2x SCALE

PIN-*



- * REPLACEABLE PUNCH TIP
- * METRIC HARDWARE

RC-D2 11-01
212-0696

PART KING LIST