

Wilson Tool International

12912 Farham Avenue
White Bear Lake, Minnesota 55110
Phone 1-800-328-9646

UPS SHIPPER NO. MN 5-65-68

PKG.I.D.# 202-9244

[829244]

ACCOUNT NO. 971231800 PPS NO. 720928

SOLD TO TRIAX METAL PROD INC
1880 SW MERLO DRIVE
BEAVERTON OR 97006
USA

SHIP TO TRIAX METAL PROD INC
1880 SW MERLO DRIVE
BEAVERTON OR 97006
USA

16



P.O. NUMBER 38032 20F6
CUSTOMER TRIAX METAL PROD INC

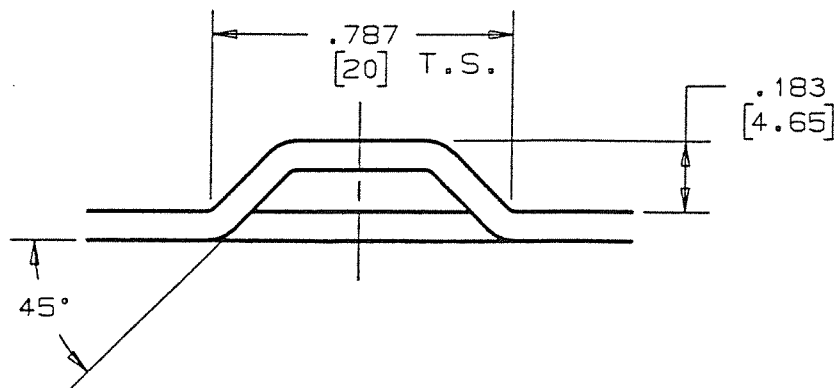
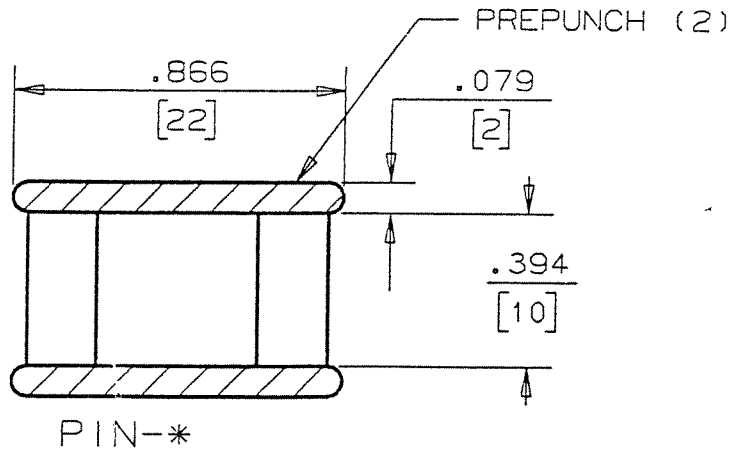
W.T. NUMBER 2029244	ORDER DATE 12/08/1998	TARGET SHIP DATE 12/16/1998	CUSTOMER CONTACT SHAWN FITCH	CUSTOMER PHONE NO. 503-649-9500	QUESTIONS CONTACT Doug Whorton	TERMS NET 10
------------------------	--------------------------	--------------------------------	---------------------------------	------------------------------------	-----------------------------------	-----------------

SALES NO. 24	INSTRUCTIONS SHIPW/2029243-48	SHIP VIA UPS 2ND DAY PKG
-----------------	----------------------------------	--------------------------

ITEM	QUANTITY	PART NO.	SHAPE	DIM1	DIM2	DIM3	CLEARANCE
1	1	02276	SP	0.000	0.000	0.000	0.000

THICK TURRET 1 1/4 SHP F/UONLYP&D ASSY FORM BRIDGE ONLY

1 1/4" STATION
0.075 (1.91) M.S.
VIPROS 358 (THICK)
8-SPRING DIE
RAD OK
2x SCALE



- * REPLACEABLE PUNCH TIP
- * METRIC HARDWARE

PACKING LIST



RC - 202-9244