

ACCOUNT NO. 0001018326



BIN NUMBER
0163-1

UPS SHIPPER NO. MN 5-65-685
SO: 483080-120

SOLD TO
Triax Metal Prod Inc
1880 SW Merlo Drive
BEAVERTON OR 97006
US

SHIP TO
Triax Metal Prod Inc
1880 SW Merlo Drive
BEAVERTON OR 97006
US

4788972

PROD. ORDER # 478-8972
QNC # 788972

P.O. NUMBER 063450

28

W.T. NUMBER 483080-120	ORDER DATE 02/22/2007	TARGET SHIP DATE 02/28/2007	CUSTOMER CONTACT Robert Nolte Jr.	CUSTOMER PHONE and FAX PH: 503-649-9500 FAX: 503-649-1888	QUESTIONS CONTACT Bob Breidel	TERMS WT10
SALES NO. A0024			INSTRUCTIONS			
			SHIP VIA UPSG			

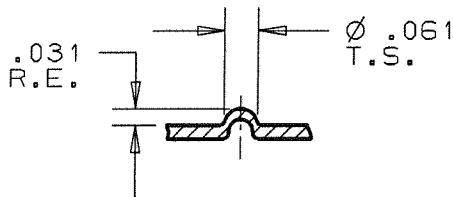
**B STN THICK 1-1/4 THK FORM ONLY RD F/U 0.375 MAX W/RELIEF
FORMING ONLY BRAILLE DIMPLE**

ITEM	QUANTITY	CLEARANCE	CATALOG NUMBER: 12738	ASSEMBLY NUMBER:	SHAPE: RD
1	1				
FULL SET					
2	1				
LTD WTY					

1 1/4" STATION
.025 ST. ST.
VIPROS 358 (THICK)
FULL BODY PUNCH
3-SPRING DIE
METRIC HARDWARE
FULL SCALE

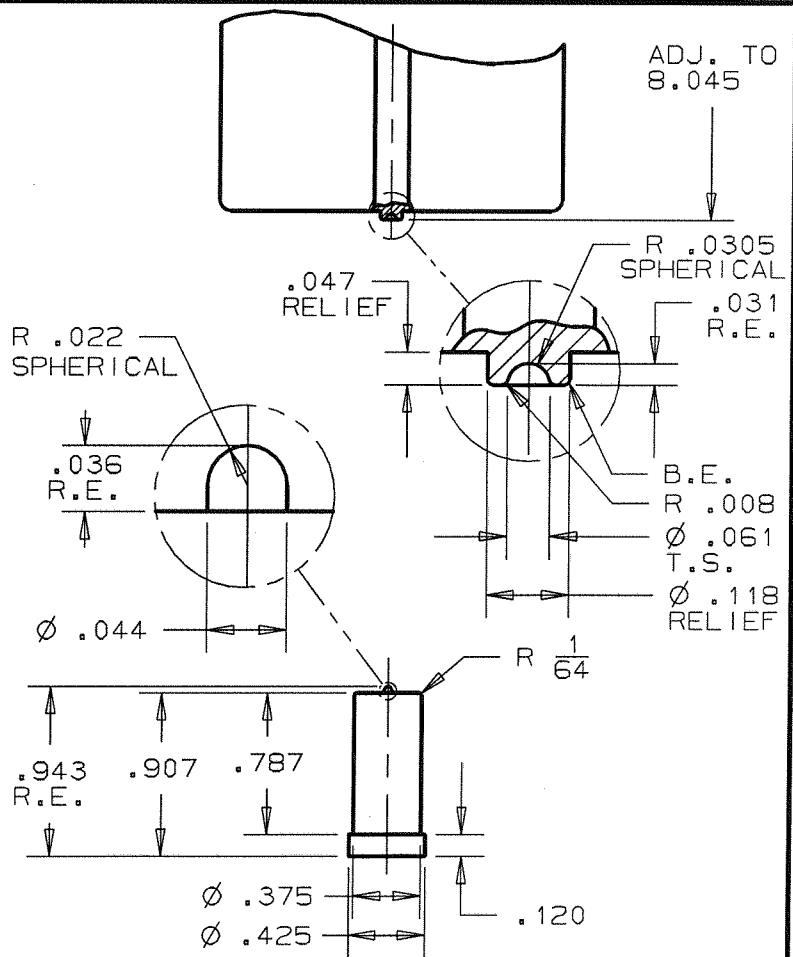
PUNCH LENGTH = 7.945
DIE BASE : 00006-5
DIE HEIGHT = 1.223
DIE CAP : 00006-2
-> OPENING = .390
SLEEVE LENGTH = .333
PUNCH RELIEVED FOR
.097 ϵ TO ϵ

ASS'Y FILED



NO1 ✓

KAE - J/N 478-8972



478-8972

****788972****
*788972000051200*02231055