

ACCOUNT NO. 0001018326

WILSON TOOL
12912 Farnham Avenue
White Bear Lake, Minnesota 55110
Phone 1-800-328-9646

BIN NUMBER
0000-0

UPS SHIPPER NO. **MN 5-65-685**
SO: 444249-10

SOLD TO Triax Metal Prod Inc
1880 SW Merlo Drive
BEAVERTON OR 97006
US

SHIP TO Triax Metal Prod Inc
1880 SW Merlo Drive
BEAVERTON OR 97006
US

4562291

PROD. ORDER # **456-2291**
QNC # 562291

P.O. NUMBER 61915

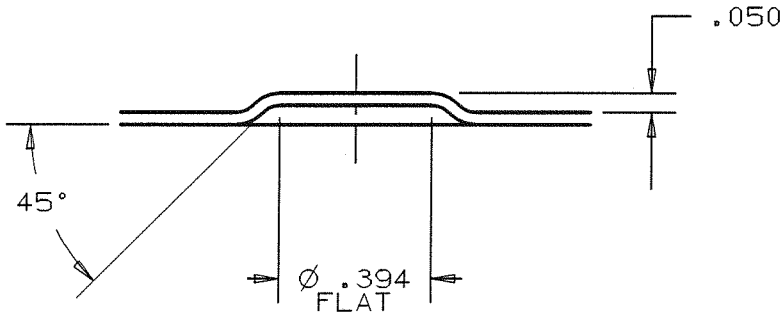
27

W.T. NUMBER 444249-10	ORDER DATE 09/21/2006	TARGET SHIP DATE 09/27/2006	CUSTOMER CONTACT Shaun	CUSTOMER PHONE and FAX PH: 503-649-9500 FAX: 503-649-1888	QUESTIONS CONTACT Joe Maloney	TERMS WT10
SALES NO. A0024	INSTRUCTIONS			SHIP VIA UPS2		

**B STN THICK 1-1/4 THK EMOSS RD F/U (> 0.375)
EMOSS .394 DIA**

ITEM	QUANTITY	CLEARANCE	CATALOG NUMBER: 02240	ASSEMBLY NUMBER:	SHAPE: RD
1	1				
FULL SET					
2	1				
LTD WTY SHEET DISTORTION					

1 1/4" STATION
0.032 (0.81) BRASS
VIPROS 358 (THK)
8-SPRING DIE
2x SCALE



* METRIC HARDWARE

562291

*562291000040725*09220838

TS
J/N 456-2291

456-2291