



BIN NUMBER  
0000-0

UPS SHIPPER NO. MN 5-65-685  
SO: 409545-10

ACCOUNT NO. 0001018386

SOLD TO National Industrial Concepts  
23518 63rd Ave SE  
WOODINVILLE WA 98072  
US

SHIP TO National Industrial Concepts  
23518 63rd Ave SE  
WOODINVILLE WA 98072  
US



PROD. ORDER # 437-0133  
QNC # 370133

P.O. NUMBER P117176

# 17

W.T. NUMBER 409545-10	ORDER DATE 05/11/2006	TARGET SHIP DATE 05/17/2006	CUSTOMER CONTACT Frank Sandoval	CUSTOMER PHONE and FAX PH: 425-489-4300 FAX: 425-483-8670	QUESTIONS CONTACT Bob Breidel	TERMS WT10
SALES NO. A0040			INSTRUCTIONS		SHIP VIA UPS1	

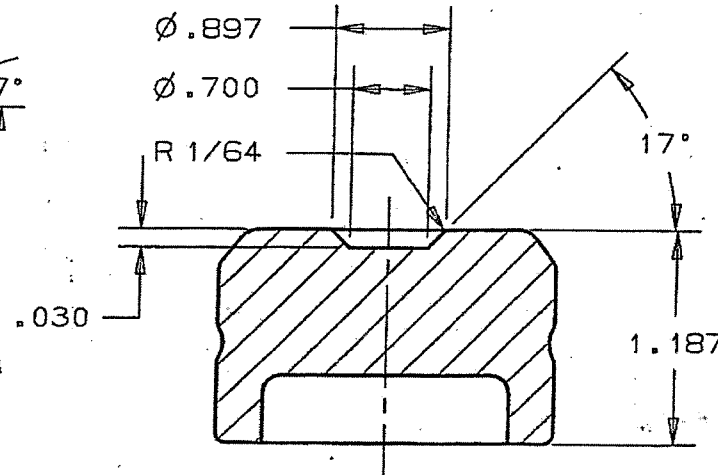
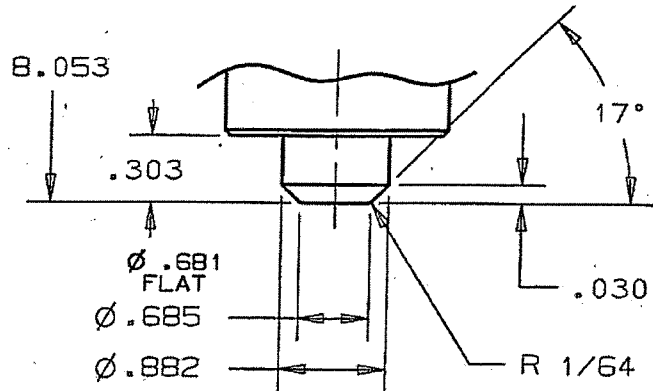
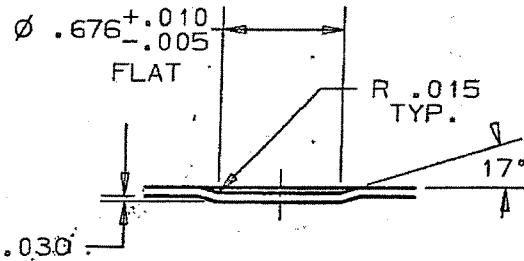
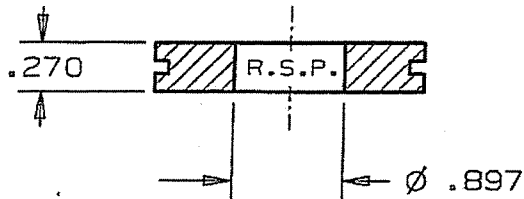
B STN THICK 1-1/4 THK EMOSS RD F/D  
EMBOSS .676 DIA FLAT

ITEM	QUANTITY	CLEARANCE	CATALOG NUMBER: 02509	ASSEMBLY NUMBER:	SHAPE: RD
1	1				
FULL SET MT(GPT 5183)					
2	1				
LTD WTY SHEET DISTORTION					

PAC-XING LIST

437-0133

1 1/4" STATION  
.050 (1.27) ALUM.  
VIPROS 358 (THK)  
FULL SCALE



**NO LENGTH TAG!!**

ADJUST UPPER UNIT LENGTH TO: 8.053

DESIGNER: JNP  
# 437-0133