



BIN NUMBER
0051-1

UPS SHIPPER NO. MN 5-65-685
SO: 379360-20

ACCOUNT NO. 0001018326

SOLD TO Triax Metal Prod Inc
1880 SW Merlo Drive
BEAVERTON OR 97006
US

SHIP TO Triax Metal Prod Inc
1880 SW Merlo Drive
BEAVERTON OR 97006
US

4288189

PROD. ORDER # 420-0109
QNC # 200109

P.O. NUMBER 59444

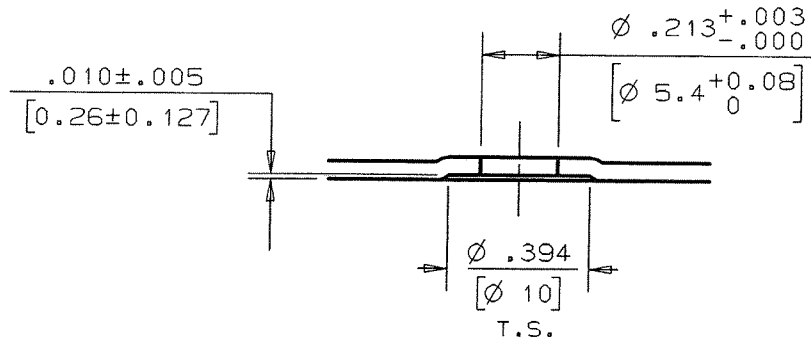
02

W.T. NUMBER 379360-20	ORDER DATE 01/25/2006	TARGET SHIP DATE 02/02/2006	CUSTOMER CONTACT Jay Ferris	CUSTOMER PHONE and FAX PH: 503-649-9500 FAX: 503-649-1888	QUESTIONS CONTACT Bruce Dibbern	TERMS WT10
SALES NO. A0024	INSTRUCTIONS		SHIP VIA UPS1			

**B STN THICK 1-1/4 THK EMOSS RD F/U (> 0.375)
EMOSS 10MM DIAMETER**

ITEM	QUANTITY	CLEARANCE	CATALOG NUMBER: 02240	ASSEMBLY NUMBER:	SHAPE: RD
1	1				
FULL SET					
2	1				
LTD WTY SHEET DISTORTION					

1 1/4" STATION
0.050 (1.27) ALUM.
VIPROS 358 (THK)
8-SPRING DIE
2x SCALE



* 0.210 DIA. PREPUNCH (APPROX.)
* METRIC HARDWARE

420-0109

****203189****

*200109000040725*01270235

JC
#420-0109