



BIN NUMBER  
**0331-2**

UPS SHIPPER NO. MN 5-65-685  
PROD. ORDER # **246-4104**  
[464104]

ACCOUNT NO. 0001018326 SALES # 53493  
LINE # 10  
SOLD TO Triax Metal Prod Inc  
1880 Sw Merlo Drive  
BEAVERTON OR 97006  
US

SHIP TO Triax Metal Prod Inc  
1880 Sw Merlo Drive  
BEAVERTON OR 97006  
US

**01**



P.O. NUMBER 53237  
CUSTOMER Triax Metal Prod Inc

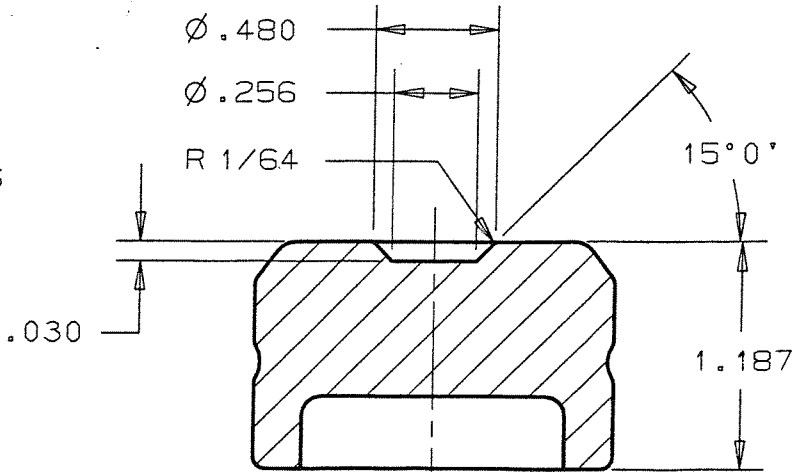
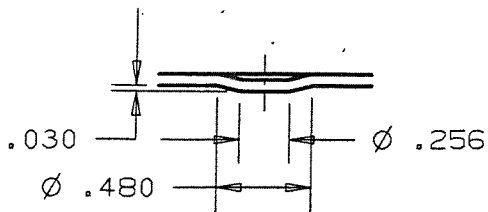
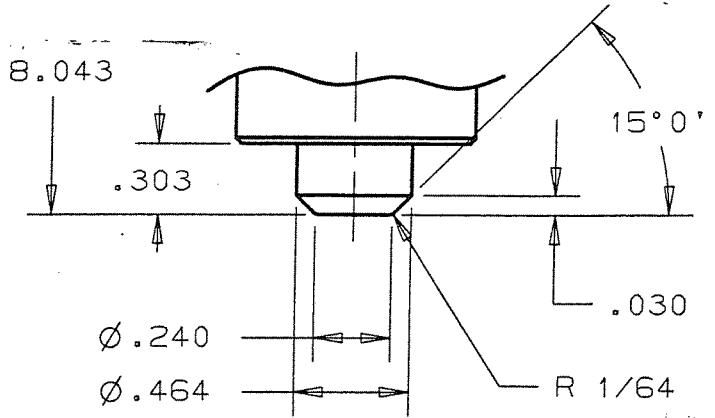
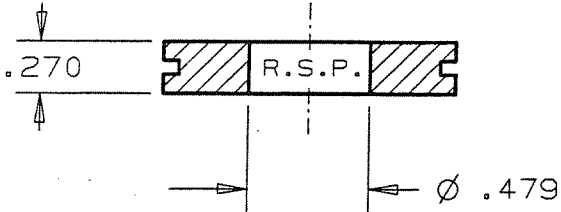
W.T. NUMBER 2464104	ORDER DATE 09/24/2002	TARGET SHIP DATE 10/01/2002	CUSTOMER CONTACT SHAWN FITCH	CUSTOMER PHONE and FAX PH: 503-649-9500 FAX: 503-649-1888	QUESTIONS CONTACT DAVIS SEIGER	TERMS WT10
SALES NO. A0024			INSTRUCTIONS DAVIS SEIGER		SHIP VIA UPS2	

**B STN THICK FORM DOWN  
EMBOSS .480 DIA**

ITEM	QUANTITY	CLEARANCE	CATALOG NUMBER: 02509	SHAPE: SP
1	1			
FULL ASS'Y (SET)				
2	1			
LTD WTY SHEET DISTORTION				

Assembly

1 1/4" STATION  
0.060 (1.52) M.S.  
VIPROS 358 (THK)  
FULL SCALE



\* UNLIMITED RADII

**NO LENGTH TAG!!**

ADJUST UPPER UNIT LENGTH TO 8.043

TS-D2  
2464104

PALK-VG LISI