

ACCOUNT NO. 0001018326 SALES # 31125
LINE # 10

SOLD TO Triax Metal Prod Inc
1880 Sw Merlo Drive
BEAVERTON OR 97006
US

WILSON TOOL
12912 Farnham Avenue
White Bear Lake, Minnesota 55110
Phone 1-800-328-9646

SHIP TO Triax Metal Prod Inc
1880 Sw Merlo Drive
BEAVERTON OR 97006
US

BIN NUMBER
0000-0

UPS SHIPPER NO. MN 5-65-685
PROD. ORDER # 235-2338
[352338]



P.O. NUMBER 53015
CUSTOMER Triax Metal Prod Inc

16

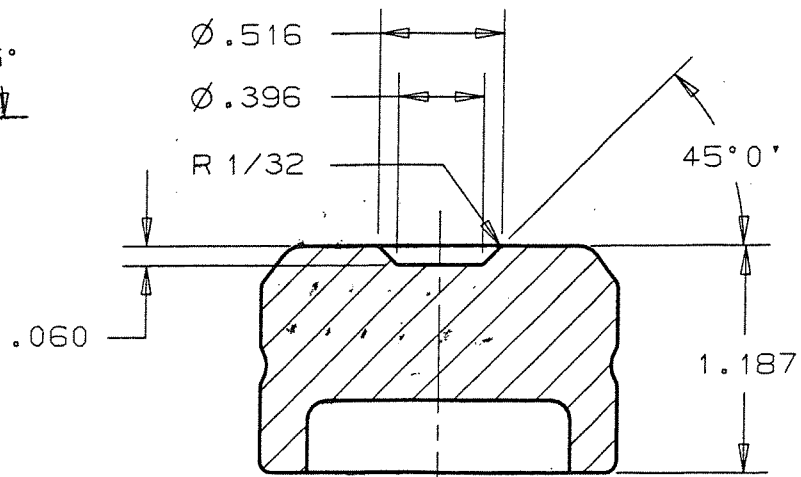
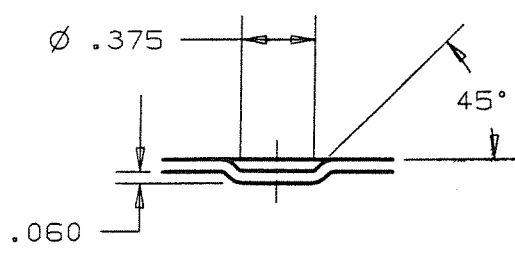
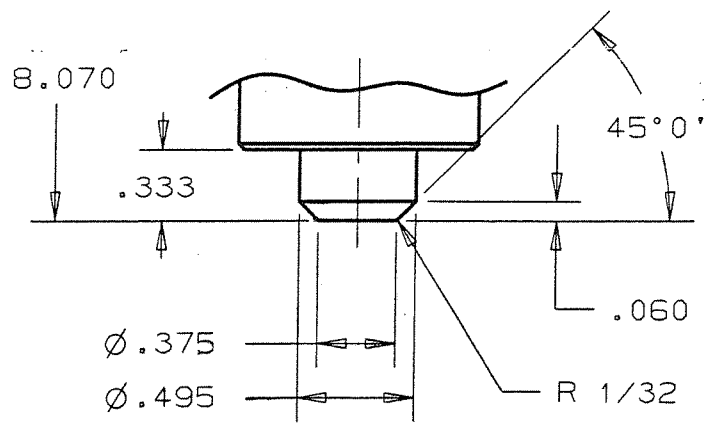
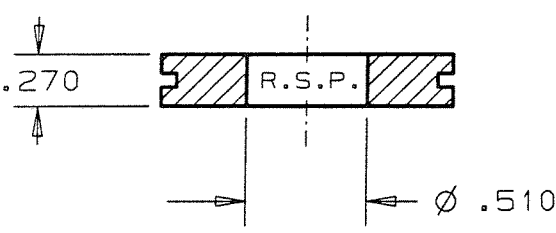
W.T. NUMBER 2352338	ORDER DATE 07/03/2002	TARGET SHIP DATE 07/16/2002	CUSTOMER CONTACT SHAWN	CUSTOMER PHONE and FAX PH: 503-649-9500 FAX: 503-649-1888	QUESTIONS CONTACT Lyle Pohlen	TERMS WT10
SALES NO. A0024	INSTRUCTIONS			SHIP VIA UPS1		

**B STN THICK FORM DOWN
RD EMBOSS**

ITEM	QUANTITY	CLEARANCE	CATALOG NUMBER: 02509	SHAPE: SP
1	1			
FULL ASS'Y (SET)				
2	1			
LTD WTY SHEET DISTORTION				

Assemb 1

1 1/4" STATION
0.063 (1.60) ALUM.
VIPROS 358 (THK)
FULL SCALE



* UNLIMITED RADIUS

NO LENGTH TAG!!
ADJUST UPPER UNIT LENGTH TO 8.070

TS-D2
2352338

PACKING LIST