

# Wilson Tool International

12912 Farnham Avenue  
White Bear Lake, Minnesota 55110  
Phone 1-800-328-9646

BIN NUMBER  
**0000-0**

UPS SHIPPER NO. **MN 5-65-685**  
PROD. ORDER # **223-8391**  
[238391]

ACCOUNT NO. 0001018326 SALES # 8090  
LINE # 10

SOLD TO Triax Metal Prod Inc  
1880 Sw Merlo Drive  
BEAVERTON OR 97006  
US

SHIP TO Triax Metal Prod Inc  
1880 Sw Merlo Drive  
BEAVERTON OR 97006  
US



P.O. NUMBER 52436  
CUSTOMER Triax Metal Prod Inc

# 23

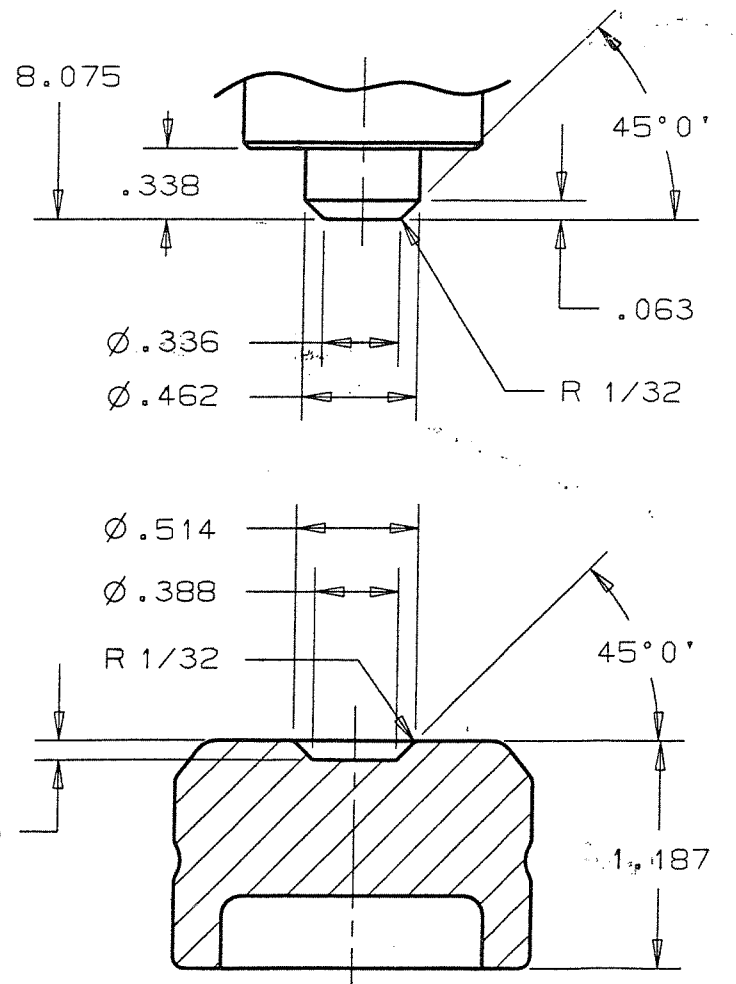
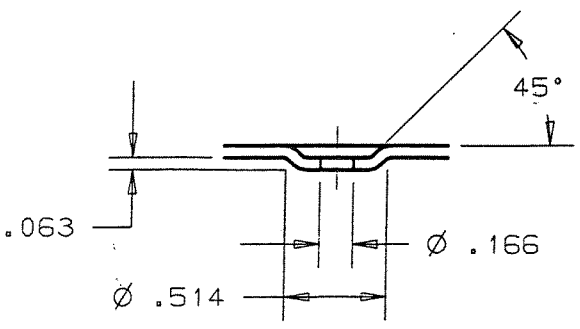
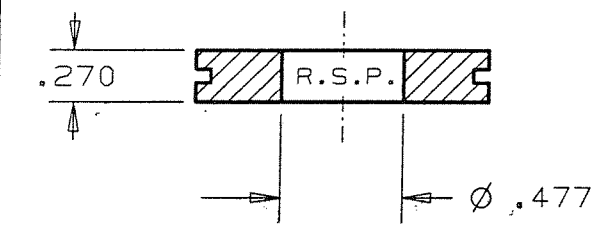
|                        |                          |                                |                           |   |                                  |               |
|------------------------|--------------------------|--------------------------------|---------------------------|---|----------------------------------|---------------|
| W.T. NUMBER<br>2238391 | ORDER DATE<br>04/16/2002 | TARGET SHIP DATE<br>04/23/2002 | CUSTOMER CONTACT<br>SHAWN | CUSTOMER PHONE and FAX<br>PH: 503-649-9500<br>FAX: 503-649-1888 | QUESTIONS CONTACT<br>Lyle Pohlen | TERMS<br>WT10 |
| SALES NO. A0024        |                          |                                | INSTRUCTIONS              |   | SHIP VIA UPS1                    |               |

**B STN THICK FORM DOWN  
EMBOSS .514 DIA. LTD WTY**

| ITEM                     | QUANTITY | CLEARANCE | CATALOG NUMBER: | SHAPE: SP |
|--------------------------|----------|-----------|-----------------|-----------|
| 1                        | 1        |           |                 |           |
| FULL ASS'Y (SET)         |          |           |                 |           |
| 2                        | 1        |           |                 |           |
| LTD WTY SHEET DISTORTION |          |           |                 |           |

Assembl

1 1/4" STATION  
0.063 (1.60) ALUM.  
PEGA 357 (THK)  
FULL SCALE



\* UNLIMITED RADIUS  
\* 0.158 DIA. PREPUNCH (APPROX.)  
**NO LENGTH TAG!!**  
ADJUST UPPER UNIT LENGTH TO 8.075

TS-D2  
2238391

PACKING LIST