

UPS SHIPPER NO. MN 5-65-685

PKG.I.D.# 209-8731

[198731]

Wilson Tool International

12912 Farnham Avenue
White Bear Lake, Minnesota 55110
Phone 1-800-328-9646

ACCOUNT NO. 971231800 PPS NO. 947497

SOLD TO TRIAX METAL PROD INC
1880 SW MERLO DRIVE
BEAVERTON OR 97006
USA

SHIP TO TRIAX METAL PROD INC
1880 SW MERLO DRIVE
BEAVERTON OR 97006
USA

09

P.O. NUMBER 046082

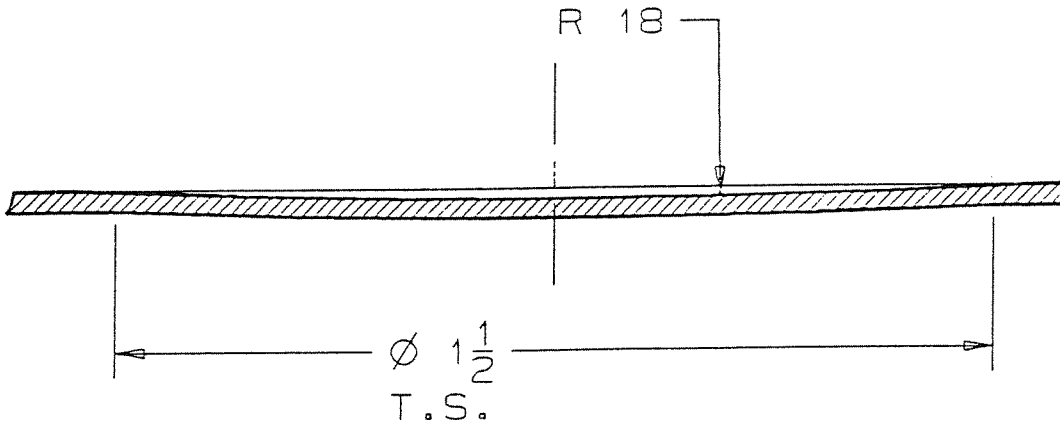
CUSTOMER TRIAX METAL PROD INC



W.T. NUMBER 2098731	ORDER DATE 06/01/2000	TARGET SHIP DATE 06/09/2000	CUSTOMER CONTACT GARY OWEN	CUSTOMER PHONE NO. 503-649-9500	QUESTIONS CONTACT Rosco Roth	TERMS NET 10
------------------------	--------------------------	--------------------------------	-------------------------------	------------------------------------	---------------------------------	-----------------

SALES NO. 24	INSTRUCTIONS	SHIP VIA UPS 2ND DAY PKG
-----------------	--------------	--------------------------

ITEM	QUANTITY	PART NO.	SHAPE	DIM1	DIM2	DIM3	CLEARANCE
1	1	02527	SP	0.000	0.000	0.000	0.000
THK TURRET, 2 RD F/D ONLY P&D&S*DIMPLE 1.500 DIA							
2	1	06121		0.000	0.000	0.000	0.000
WILSON TOOL NOT RESPONSIBLE FOR SHEET DISTORTION							



PACKING LIST

2" STATION
20 GA (.036) M.S.
PEGA 357 (THICK)
M-12 TAP

NO LENGTH TAG!
ADJUST UPPER UNIT LENGTH
TO 8.053

KAJ(D1) - ODS

220220900000*06022022
*JJ731L 100TE89LT