



Wilson Tool International
 12912 Farham Avenue
 White Bear Lake, Minnesota 55110
 Phone 1-800-928-9646

UPS SHIPPER NO. MN 8-85-885
 PKG.I.D.# 206-4343
 (964343)

ACCOUNT NO. 971231800 PPS NO. 838507

TRIAx METAL PROD INC
 1880 SW MERLO DRIVE
 BEAVERTON OR 97008
 USA

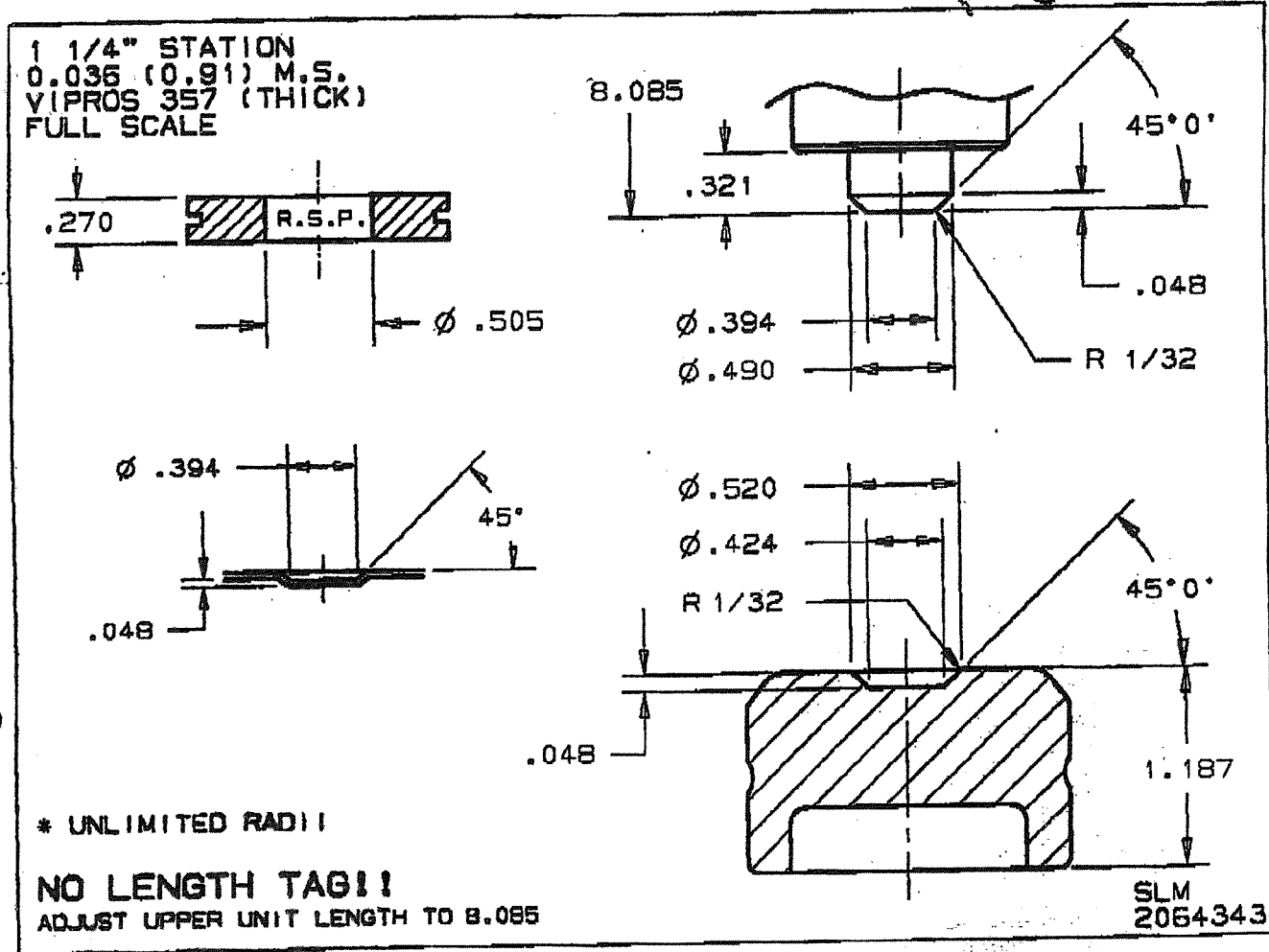
SHIP TRIAX METAL PROD INC
 TO 1880 SW MERLO DRIVE
 BEAVERTON OR 97008
 USA

P.O. NUMBER 41523 20F2
 CUSTOMER TRIAX METAL PROD INC

W.T. NUMBER	ORDER DATE	TARGET SHIP DATE	CUSTOMER CONTACT	CUSTOMER PHONE NO.	QUESTIONS CONTACT	TERMS
2064343	09/23/1999	09/30/1999	SEAN	503-649-9500	Kirsten Erickson	NET 10

SALES NO.	INSTRUCTIONS	SHIP VIA UPS NDA PACKAGE							
24		ITEM	QUANTITY	PART NO.	SHAPE	DIM1	DIM2	DIMS	CLEARANCE
		1	1	02509	SP	0.000	0.000	0.000	0.000
		THK TURRET, 1-1/4 RD F/D ONLY P&G ASSY AND DIE EMBOSS .394							
		2	1	06121		0.000	0.000	0.000	0.000
		WILSON TOOL NOT RESPONSIBLE FOR SHEET DISTORTION							

ACKNOWLEDGE ORDER
 ADVISE ONLY IF ANY
 DISCREPANCIES



Acknowledgement Copy