

# Wilson Tool International

12912 Farnham Avenue  
White Bear Lake, Minnesota 55110  
Phone 1-800-328-9646

UPS SHIPPER NO. MN 5-65-685

PKG.I.D.# 202-9245

[829245]

ACCOUNT NO. 971231800 PPS NO. 720929

SOLD TO TRIAX METAL PROD INC  
1880 SW MERLO DRIVE  
BEAVERTON OR 97006  
USA

SHIP TO TRIAX METAL PROD INC  
1880 SW MERLO DRIVE  
BEAVERTON OR 97006  
USA

# 16



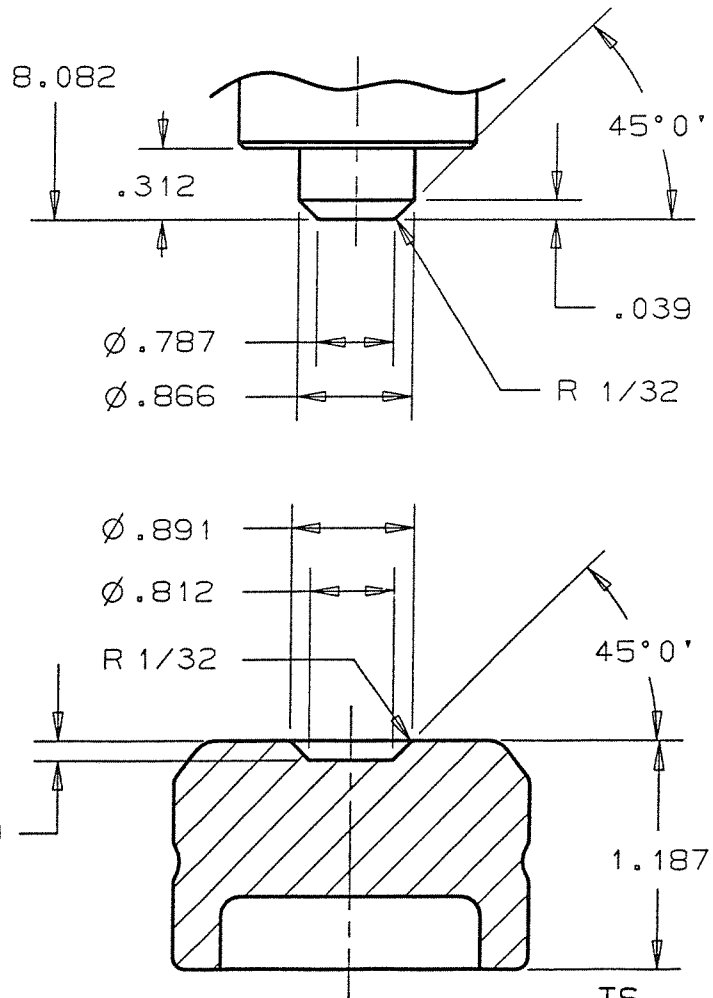
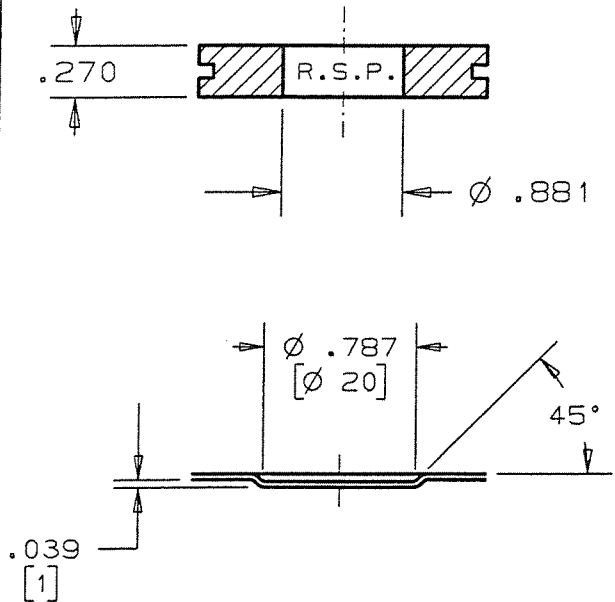
P.O. NUMBER 38032 30F6  
CUSTOMER TRIAX METAL PROD INC

|                        |                          |                                |                                 |                                    |                                   |                 |
|------------------------|--------------------------|--------------------------------|---------------------------------|------------------------------------|-----------------------------------|-----------------|
| W.T. NUMBER<br>2029245 | ORDER DATE<br>12/08/1998 | TARGET SHIP DATE<br>12/16/1998 | CUSTOMER CONTACT<br>SHAWN FITCH | CUSTOMER PHONE NO.<br>503-649-9500 | QUESTIONS CONTACT<br>Doug Whorton | TERMS<br>NET 10 |
|------------------------|--------------------------|--------------------------------|---------------------------------|------------------------------------|-----------------------------------|-----------------|

|                 |                                  |                          |
|-----------------|----------------------------------|--------------------------|
| SALES NO.<br>24 | INSTRUCTIONS<br>SHIPW/2029243-48 | SHIP VIA UPS 2ND DAY PKG |
|-----------------|----------------------------------|--------------------------|

| ITEM  | QUANTITY | PART NO. | SHAPE | DIM1  | DIM2  | DIM3  | CLEARANCE |
|---|----------|----------|-------|-------|-------|-------|-----------|
| 1   | 1        | 02509    | SP    | 0.000 | 0.000 | 0.000 | 0.000     |
| THK TURRET, 1-1/4 RD F/D ONLY P&G ASSY AND DIE EMBOSS 20.0 MM |          |          |       |       |       |       |           |
| 2   | 1        | 06121    |       | 0.000 | 0.000 | 0.000 | 0.000     |
| WILSON TOOL NOT RESPONSIBLE FOR SHEET DISTORTION              |          |          |       |       |       |       |           |

1 1/4" STATION  
0.030 (0.76) GALVNZD  
VIPROS 358 (THK)  
FULL SCALE



\* UNLIMITED RADI I

**NO LENGTH TAG!!**

ADJUST UPPER UNIT LENGTH TO 8.082

TS  
2029245

PACKING LIST