

Wilson Tool International

12912 Farnham Avenue
White Bear Lake, Minnesota 55110
Phone 1-800-328-9646

UPS SHIPPER NO. MN 5-65-685

PKG.I.D.# 202-9243

[829243]

ACCOUNT NO. 971231800 PPS NO. 720927

SOLD TO TRIAX METAL PROD INC
1880 SW MERLO DRIVE
BEAVERTON OR 97006
USA

SHIP TO TRIAX METAL PROD INC
1880 SW MERLO DRIVE
BEAVERTON OR 97006
USA

16



P.O. NUMBER 38032 10F6
CUSTOMER TRIAX METAL PROD INC

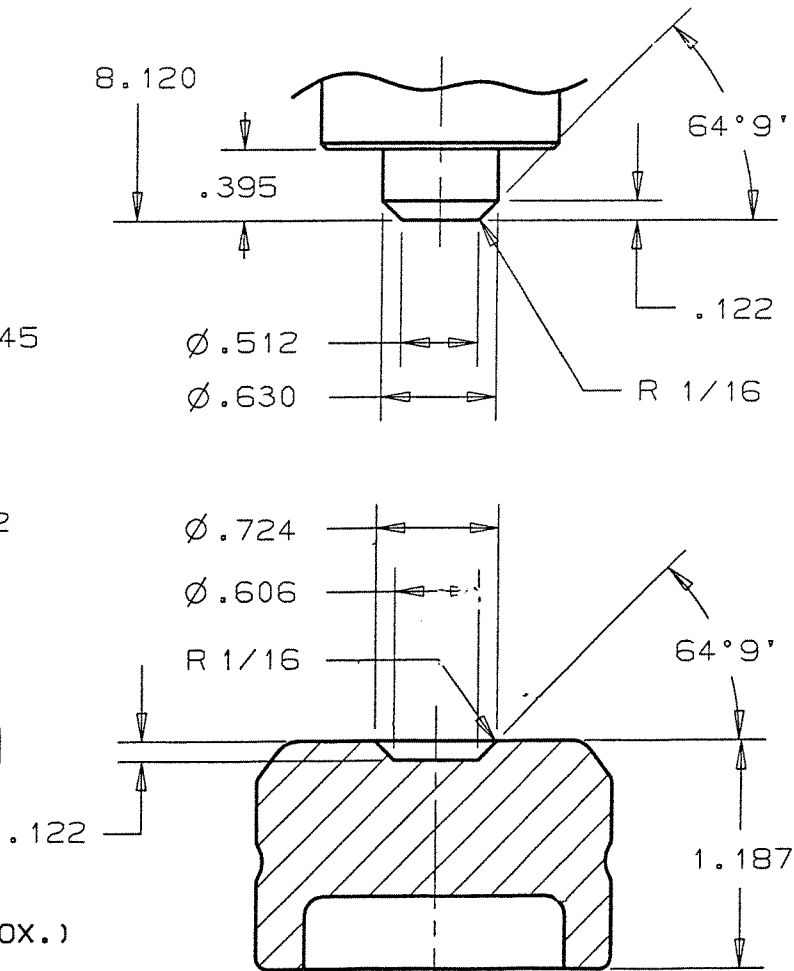
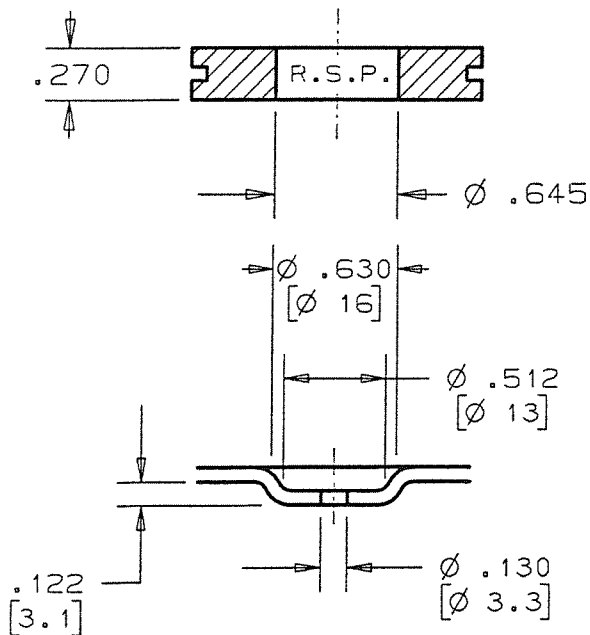
W.T. NUMBER 2029243	ORDER DATE 12/08/1998	TARGET SHIP DATE 12/16/1998	CUSTOMER CONTACT SAHWN FITCH	CUSTOMER PHONE NO. 503-649-9500	QUESTIONS CONTACT Doug Whorton	TERMS NET 10
------------------------	--------------------------	--------------------------------	---------------------------------	------------------------------------	-----------------------------------	-----------------

SALES NO. 24	INSTRUCTIONS SHIPW/2029243-48	SHIP VIA UPS 2ND DAY PKG
-----------------	----------------------------------	--------------------------

ITEM	QUANTITY	PART NO.	SHAPE	DIM1	DIM2	DIM3	CLEARANCE
1	1	02509	SP	0.000	0.000	0.000	0.000
THK TURRET, 1-1/4 RD F/D ONLY P&G ASSY AND DIE EMBOSS 13.0 MM DIA LTD WTY							
2	1	06121		0.000	0.000	0.000	0.000
WILSON TOOL NOT RESPONSIBLE FOR SHEET DISTORTION							

PACKING LIST

1 1/4" STATION
0.075 (1.91) GALVNZD
VIPROS 358(THK)
FULL SCALE



* UNLIMITED RADIUS
* ~~0.087~~ DIA. PREPUNCH (APPROX.)

NO LENGTH TAG!!

ADJUST UPPER UNIT LENGTH TO 8.120

TS
2029243