



Wilson Tool International, Inc
 12912 Farnham Avenue
 WHITE BEAR LAKE , MN 55110
 US

Ship Via: UPS 2nd Day Air
 SO: 1806304-20
 Prod Ord: 11743254
 P.O. Number 86306

Acct# 1018326

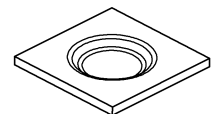
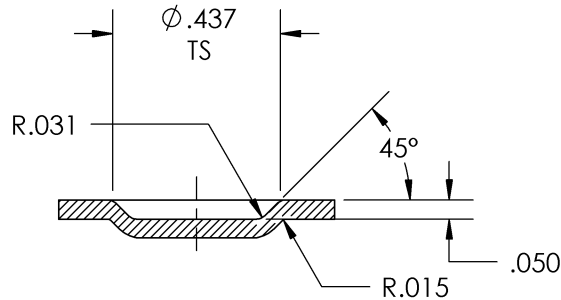
Sold To Triax Metal Products LLC
 1880 SW Merlo Drive
 BEAVERTON OR 97003
 US

Ship To Triax Metal Products LLC
 1880 SW Merlo Drive
 BEAVERTON OR 97003
 US

Contact: Shaun Fitch Phone: 503-649-9500-140 Fax: 503-649-1888 Email: shaun@triaxmetal.com

Order Date 10/19/2020	Target Ship Date 10/22/2020	Question Contact Jodi Norby	Instructions MIN RAD OK DISREGARD THRU HOLE
QTY: 1 2509 1-1/4 Thick Emboss Round Form-Down			Shape:RD
EMBOSS.STP			
STATION: B STATION (1-1/4)	RELIEF: NO RELIEF	KEYING: STANDARD	MATL: ALUMINIUM
	AUTO INDX: NO		MATL THK: 0.0500 in
MACHINE: AMADA			
MODEL: PEGA 345			COATING: NO COATING
Item 1 - FULL SET			

NO LENGTH TAG!
ADJUST UPPER UNIT LENGTH TO: 8.070



CCL
 PROD# 11743254

These items are controlled by the U.S. Government and authorized for export only to the country of ultimate destination for use by the ultimate consignee or end-user(s) herein identified. They may not be resold, transferred, or otherwise disposed of, to any other country or to any person other than the authorized ultimate consignee or end-user(s), either in their original form or after being incorporated into other items, without first obtaining approval from the U.S. government or as otherwise authorized by U.S. law and regulations.