



Acct# 1018326

Wilson Tool International, Inc  
12912 Farnham Avenue  
WHITE BEAR LAKE, MN 55110  
US

Ship Via: UPS 2nd Day Air  
SO: 1743373-70  
Prod Ord: 11462498  
P.O. Number 86196

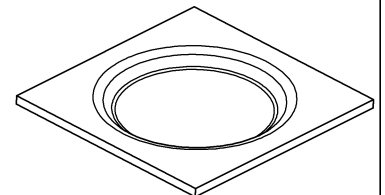
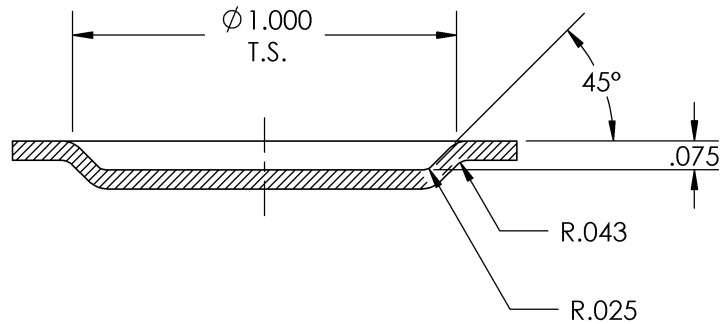
Sold To Triax Metal Products LLC  
1880 SW Merlo Drive  
BEAVERTON OR 97003  
US

Ship To Triax Metal Products LLC  
1880 SW Merlo Drive  
BEAVERTON OR 97003  
US

Contact: Shaun Fitch Phone: 503-649-9500-140 Fax: 503-649-1888 Email: shaun@triaxmetal.com

Order Date 01/21/2020	Target Ship Date 01/23/2020	Question Contact Ben Ovaldson	Instructions
QTY: 1 2509 1-1/4 Thick Emboss Round Form-Down			Shape:RD
FORM DOWN EMBOSS PO 86196			
STATION: B STATION (1-1/4)	RELIEF: NO RELIEF	KEYING: STANDARD	MATL: ALUMINIUM
	AUTO INDX: NO		MATL THK: 0.0500 in
MACHINE: AMADA			
MODEL: VIPROS 358			COATING: NO COATING
Item 1 - FULL SET			
Item 2 - DRAWING APPROVED BY CUSTOMER			

**NO LENGTH TAG!**  
**ADJUST UPPER UNIT LENGTH TO: 8.095**



SRJ  
PROD# 11462498

*These items are controlled by the U.S. Government and authorized for export only to the country of ultimate destination for use by the ultimate consignee or end-user(s) herein identified. They may not be resold, transferred, or otherwise disposed of, to any other country or to any person other than the authorized ultimate consignee or end-user(s), either in their original form or after being incorporated into other items, without first obtaining approval from the U.S. government or as otherwise authorized by U.S. law and regulations.*