



Acct# 1018326

Wilson Tool International, Inc
12912 Farnham Avenue
WHITE BEAR LAKE , MN 55110
US

Ship Via: UPS Ground
SO: 1655437-10
Prod Ord: 11061781
P.O. Number 86117

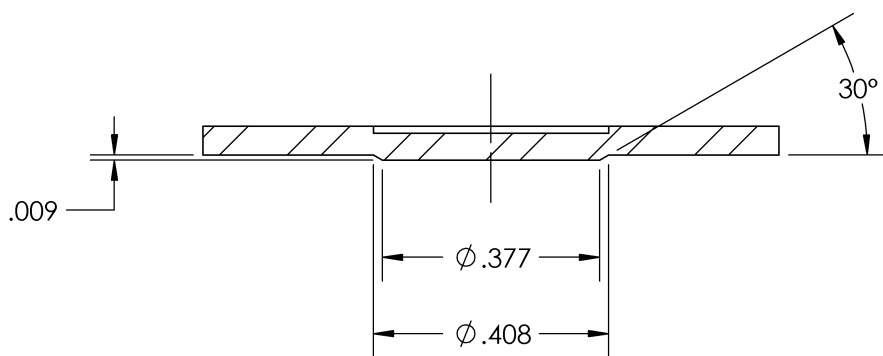
Sold To Triax Metal Products LLC
1880 SW Merlo Drive
BEAVERTON OR 97003
US

Ship To Triax Metal Products LLC
1880 SW Merlo Drive
BEAVERTON OR 97003
US

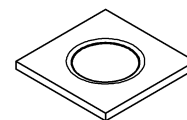
Contact: Shaun Fitch Phone: 503-649-9500-140 Fax: 503-649-1888 Email: shaun@triaxmetal.com

Order Date 02/18/2019	Target Ship Date 02/20/2019	Question Contact Fernanda Perez	Instructions
QTY: 1 2514 1/2 Thick Emboss Round Form-Down			Shape:RD
STATION: A STATION (1/2)	RELIEF: NO RELIEF	KEYING: STANDARD	MATL: ALUMINIUM
	AUTO INDX: NO		MATL THK: 0.0500 in
MACHINE: AMADA			
MODEL: VIPROS 358			COATING: NO COATING
Item 1 - FULL SET			

**NO LENGTH TAG!
ADJUST UPPER UNIT LENGTH TO: 8.032**



JCC
PROD# 11061781



These items are controlled by the U.S. Government and authorized for export only to the country of ultimate destination for use by the ultimate consignee or end-user(s) herein identified. They may not be resold, transferred, or otherwise disposed of, to any other country or to any person other than the authorized ultimate consignee or end-user(s), either in their original form or after being incorporated into other items, without first obtaining approval from the U.S. government or as otherwise authorized by U.S. law and regulations.