



Acct# 1018326

Wilson Tool International, Inc
12912 Farnham Avenue
WHITE BEAR LAKE, MN 55110
US

Ship Via: UPS 2nd Day Air
SO: 1633554-10
Prod Ord: 10959538
P.O. Number 86027

Sold To Triax Metal Products LLC
1880 SW Merlo Drive
BEAVERTON OR 97003
US

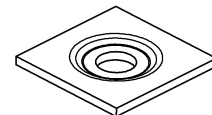
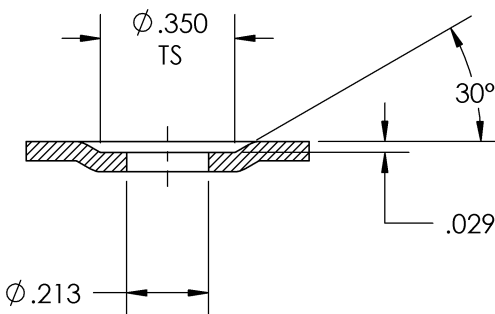
Ship To Triax Metal Products LLC
1880 SW Merlo Drive
BEAVERTON OR 97003
US

Contact: Shaun Fitch Phone: 503-649-9500-140 Fax: 503-649-1888 Email: shaun@triaxmetal.com

Order Date 11/27/2018	Target Ship Date 12/03/2018	Question Contact Ben Ovaldson	Instructions
QTY: 1 2509 1-1/4 Thick Emboss Round Form-Down			Shape:RD
6162 EMOSS			
STATION: B STATION (1-1/4)	RELIEF: NO RELIEF	KEYING: STANDARD	MATL: ALUMINIUM
	AUTO INDX: NO		MATL THK: 0.0500 in
MACHINE: AMADA			
MODEL: VIPROS 358			COATING: NO COATING
Item 1 - FULL SET			
Item 2 - DRAWING APPROVED BY CUSTOMER			

APPROX. PRE-PUNCH: ϕ .212

NO LENGTH TAG!
ADJUST UPPER UNIT LENGTH TO: 8.049



CCL
PROD# 10959538

These items are controlled by the U.S. Government and authorized for export only to the country of ultimate destination for use by the ultimate consignee or end-user(s) herein identified. They may not be resold, transferred, or otherwise disposed of, to any other country or to any person other than the authorized ultimate consignee or end-user(s), either in their original form or after being incorporated into other items, without first obtaining approval from the U.S. government or as otherwise authorized by U.S. law and regulations.