



Acct# 1018326

Wilson Tool
12912 Farnham Avenue
WHITE BEAR LAKE, MN 55110
US

Ship Via:	UPS Ground
SO:	1494776-10
Prod Ord:	10313058
P.O. Number	85029
Payment Terms	Net due in 10 days

Sold To Triax Metal Products LLC
1880 SW Merlo Drive
BEAVERTON OR 97003
US

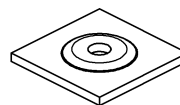
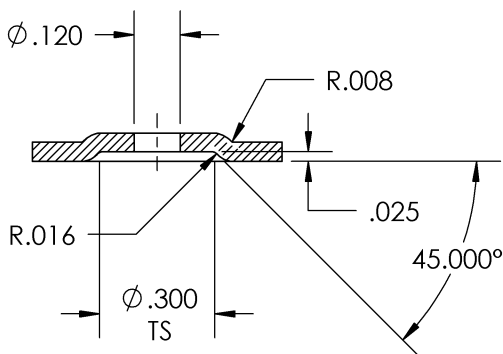
Ship To Triax Metal Products LLC
1880 SW Merlo Drive
BEAVERTON OR 97003
US

Contact: Shaun Fitch Phone: 503-649-9500-140 Fax: 503-649-1888 Email: shaun@triaxmetal.com

Order Date 07/25/2017	Target Ship Date 07/26/2017	Question Contact Stephanie Petermann	Instructions
QTY: 1 2240 1-1/4 Thick Emboss Round Form-Up (>0.375)			Shape:RD
386804800_REV05.STP			
STATION: B STATION (1-1/4)	RELIEF: WITH RELIEF	KEYING: STANDARD	MATL: ALUMINIUM
	AUTO INDX: NO		MATL THK: 0.0500 in
MACHINE: AMADA			
MODEL: PEGA 345			COATING: NO COATING
Item 1 - FULL SET			

APPROXIMATE PRE PUNCH: $\phi .130$
PUNCH TIP IS RELIEVED FOR .455 ϕ TO ϕ
SPRING PRESSURE REDUCED IN DIE ASSY.

* THE APPROXIMATE ADJUSTED PUNCH
LENGTH IS : 8.020



DJJ
PROD# 10313058