



Acct# 1018326

Wilson Tool
12912 Farnham Avenue
WHITE BEAR LAKE, MN 55110
US

Ship Via:	UPS 2nd Day Air
SO:	1410486-10
Prod Ord:	9920093
P.O. Number	85005
Payment Terms	Net due in 10 days

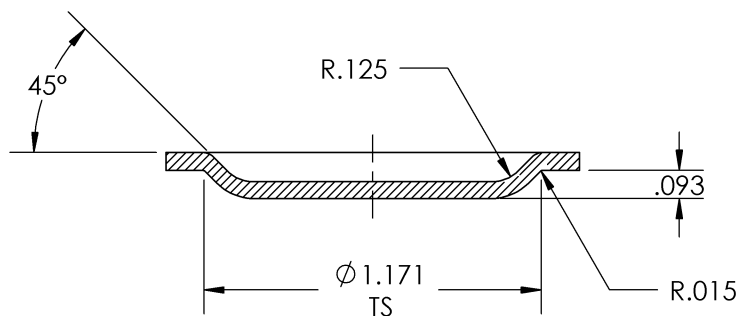
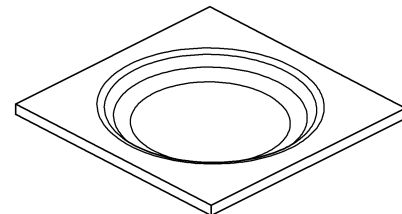
Sold To Triax Metal Products LLC
1880 SW Merlo Drive
BEAVERTON OR 97003
US

Ship To Triax Metal Products LLC
1880 SW Merlo Drive
BEAVERTON OR 97003
US

Contact: Shaun Fitch Phone: 503-649-9500-140 Fax: 503-649-1888 Email: shaun@triaxmetal.com

Order Date 10/05/2016	Target Ship Date 10/07/2016	Question Contact Joe Maloney	Instructions
QTY: 1 2509 1-1/4 Thick Emboss Round Form-Down			Shape:RD
EMBOSS F/DOWN			
STATION: B STATION (1-1/4)	RELIEF: NO RELIEF	KEYING: STANDARD	MATL: ALUMINUM
	AUTO INDX: NO		MATL THK: 0.0620 in
MACHINE: AMADA			
MODEL: VIPROS 358			COATING: NO COATING
Item 1 - FULL SET			
Item 2 - DRAWING APPROVED BY CUSTOMER			

NO LENGTH TAG!
ADJUST UPPER UNIT LENGTH TO: 8.109



TCR
PROD# 9920093