



Acct# 1018326

Wilson Tool  
12912 Farnham Avenue  
WHITE BEAR LAKE, MN 55110  
US

Ship Via:	UPS Ground
SO:	1241401-10
Prod Ord:	9114376
P.O. Number:	83589
Payment Terms:	Net due in 10 days

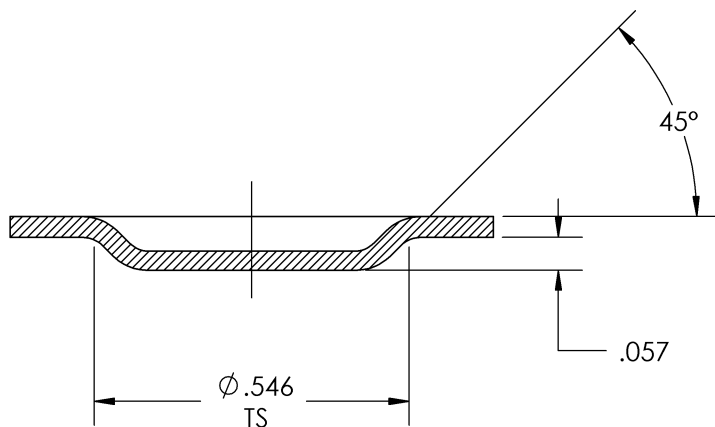
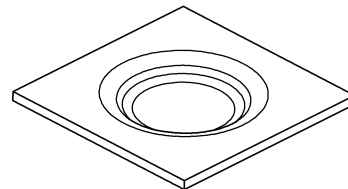
Sold To Triax Metal Products LLC  
1880 SW Merlo Drive  
CharBEAVERTON OR 97006  
US

Ship To Triax Metal Products LLC  
1880 SW Merlo Drive  
BEAVERTON OR 97006  
US

Contact: Shaun Fitch Phone: 503-649-9500-140 Fax: 503-649-1888 Email: shaun@triaxmetal.com

Order Date 02/26/2015	Target Ship Date 03/02/2015	Question Contact Susan Erler	Instructions
QTY: 1 2509 1-1/4 Thick Emboss Round Form-Down			Shape:RD
407-5925			
STATION: B STATION (1-1/4)	RELIEF: NO RELIEF	KEYING: STANDARD	MATL: MILD STEEL
	AUTO INDX: NO		MATL THK: 0.0360 in
MACHINE: AMADA			
MODEL: VIPROS 358			COATING: NO COATING
Item 1 - FULL SET			

**NO LENGTH TAG!**  
**ADJUST UPPER UNIT LENGTH TO: 8.094**



BSR  
PROD# 9114376