



Acct# 1018326

Wilson Tool  
12912 Farnham Avenue  
WHITE BEAR LAKE, MN 55110  
US

Ship Via: UPS Ground  
SO: 1222618-10  
Prod Ord: 9022102  
P.O. Number 83362  
Payment Terms Net due in 10 days

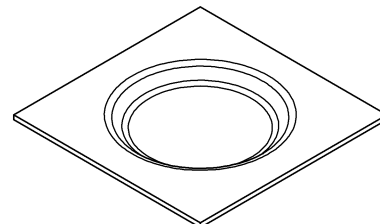
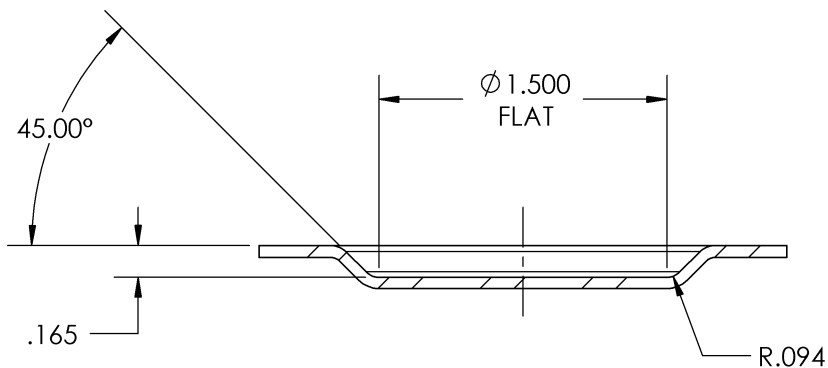
Sold To Triax Metal Products LLC  
1880 SW Merlo Drive  
CharBEAVERTON OR 97006  
US

Ship To Triax Metal Products LLC  
1880 SW Merlo Drive  
BEAVERTON OR 97006  
US

Contact: Shaun Fitch Phone: 503-649-9500-140 Fax: 503-649-1888 Email: shaun@triaxmetal.com

Order Date	Target Ship Date	Question Contact	Instructions
12/18/2014	12/19/2014	Matthew King	
QTY: 1 5272 3-1/2 Thick Emboss HP Round Form-Down			Shape:RD
STATION: D STATION (3-1/2)	RELIEF: NO RELIEF	KEYING: STANDARD	MATL: ALUMINUM
STYLE: HP HOLDER LRG STATIO	AUTO INDX: NO		MATL THK: 0.0620 in
MACHINE: AMADA			
MODEL: VIPROS 358			COATING: NO COATING
Item 1 - FULL SET, (LESS HOLDER)			

**NO LENGTH TAG!**  
**ADJUST UPPER UNIT LENGTH TO: 8.173**



TCR  
PROD# 9022102