



Acct# 1018326

Wilson Tool Intl. Plant  
12912 Farnham Avenue  
WHITE BEAR LAKE , MN 55110  
US

Ship Via: UPS 2nd Day Air  
SO: 1185772-10  
Prod Ord: 8840994  
P.O. Number 82733  
Payment Terms Net due in 10 days

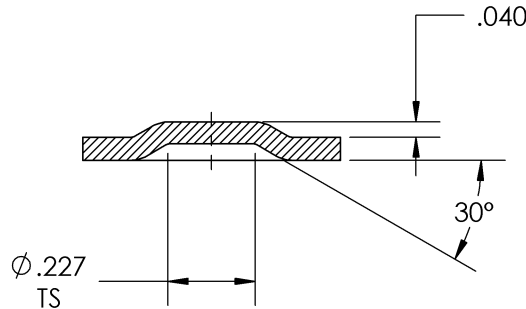
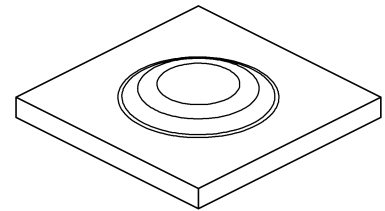
Sold To Triax Metal Products LLC  
1880 SW Merlo Drive  
CharBEAVERTON OR 97006  
US

Ship To Triax Metal Products LLC  
1880 SW Merlo Drive  
BEAVERTON OR 97006  
US

Contact: Shaun Fitch Phone: 503-649-9500-140 Fax: 503-649-1888 Email: shaun@triaxmetal.com

Order Date 08/20/2014	Target Ship Date 08/21/2014	Question Contact Kathy Limanen	Instructions
QTY: 1 2240 1-1/4 Thick Emboss Round Form-Up (>0.375)			Shape:RD
PO 82733.STP			
STATION: B STATION (1-1/4)	RELIEF: NO RELIEF	KEYING: STANDARD	MATL: MILD STEEL
	AUTO INDX: NO		MATL THK: 0.0600 in
MACHINE: AMADA			
MODEL: VIPROS 358			COATING: NO COATING
Item 1 - FULL SET			

\* THE APPROXIMATE ADJUSTED PUNCH LENGTH IS : 8.010



MRL  
PROD# 8840994