



Acct# 1018326

Wilson Tool Intl. Plant
12912 Farnham Avenue
WHITE BEAR LAKE , MN 55110
US

Ship Via: UPS 2nd Day Air
SO: 1142910-120
Prod Ord: 8629746
P.O. Number 82009
Payment Terms Net due in 10 days

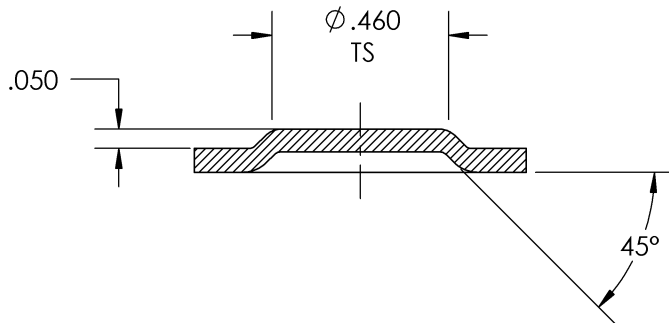
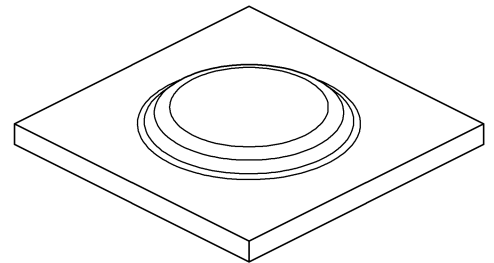
Sold To Triax Metal Products LLC
1880 SW Merlo Drive
CharBEAVERTON OR 97006
US

Ship To Triax Metal Products LLC
1880 SW Merlo Drive
BEAVERTON OR 97006
US

Contact: Shaun Fitch Phone: 503-649-9500 Fax: 503-649-1888 Email: shaun@triaxmetal.com

Order Date 03/27/2014	Target Ship Date 03/28/2014	Question Contact Ryan Hampton	Instructions
QTY: 1 2240 1-1/4 Thick Emboss Round Form-Up (>0.375)			Shape:RD
PER 5839.STP			
STATION: B STATION (1-1/4)	RELIEF: NO RELIEF	KEYING: STANDARD	MATL: ALUMINUM
	AUTO INDX: NO		MATL THK: 0.0620 in
MACHINE: AMADA			
MODEL: VIPROS 358			COATING: NO COATING
Item 1 - FULL SET			

* THE APPROXIMATE ADJUSTED PUNCH LENGTH IS : 8.008



MDS
PROD# 8629746