



Acct# 1018326

Wilson Tool Intl. Plant
12912 Farnham Avenue
WHITE BEAR LAKE, MN 55110
US

Ship Via: UPS Ground
SO: 1134680-10
Prod Ord: 8589797
P.O. Number 82003
Payment Terms Net due in 10 days

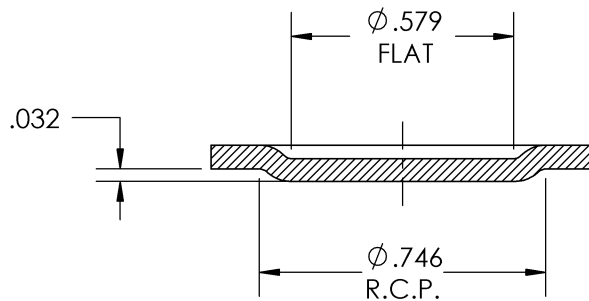
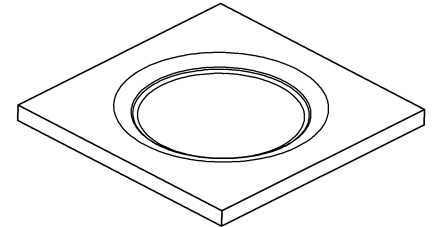
Sold To Triax Metal Products LLC
1880 SW Merlo Drive
CharBEAVERTON OR 97006
US

Ship To Triax Metal Products LLC
1880 SW Merlo Drive
BEAVERTON OR 97006
US

Contact: Shaun Fitch Phone: 503-649-9500 Fax: 503-649-1888 Email: shaun@triaxmetal.com

Order Date 03/03/2014	Target Ship Date 03/05/2014	Question Contact Ann Tommerdahl	Instructions MAKE PER CAD FILE, PDF FOR REF
QTY: 1 2509 1-1/4 Thick Emboss Round Form-Down			Shape:RD
STATION: B STATION (1-1/4)	RELIEF: NO RELIEF	KEYING: STANDARD	MATL: ALUMINUM
	AUTO INDX: NO		MATL THK: 0.0620 in
MACHINE: AMADA			
MODEL: VIPROS 358			COATING: NO COATING
Item 1 - FULL SET			

NO LENGTH TAG!
ADJUST UPPER UNIT LENGTH TO: 8.043



MDS
PROD# 8589797